

S33A2-6030CTSMIN

60 in x 30 in x 76 in (1525 mm x 762 mm x 1930 mm)



FEATURES

- Durable high gloss finish
- Smooth wall, 4 piece molded sectionals
- Pre-leveled base
- Caulkless installation
- Leakproof right angle joint flanges
- Easy wedge & lock installation
- Multiple integral soap shelves
- Left, right drain
- Slip resistant, textured bottom
- Available in White
- 15-year residential limited warranty

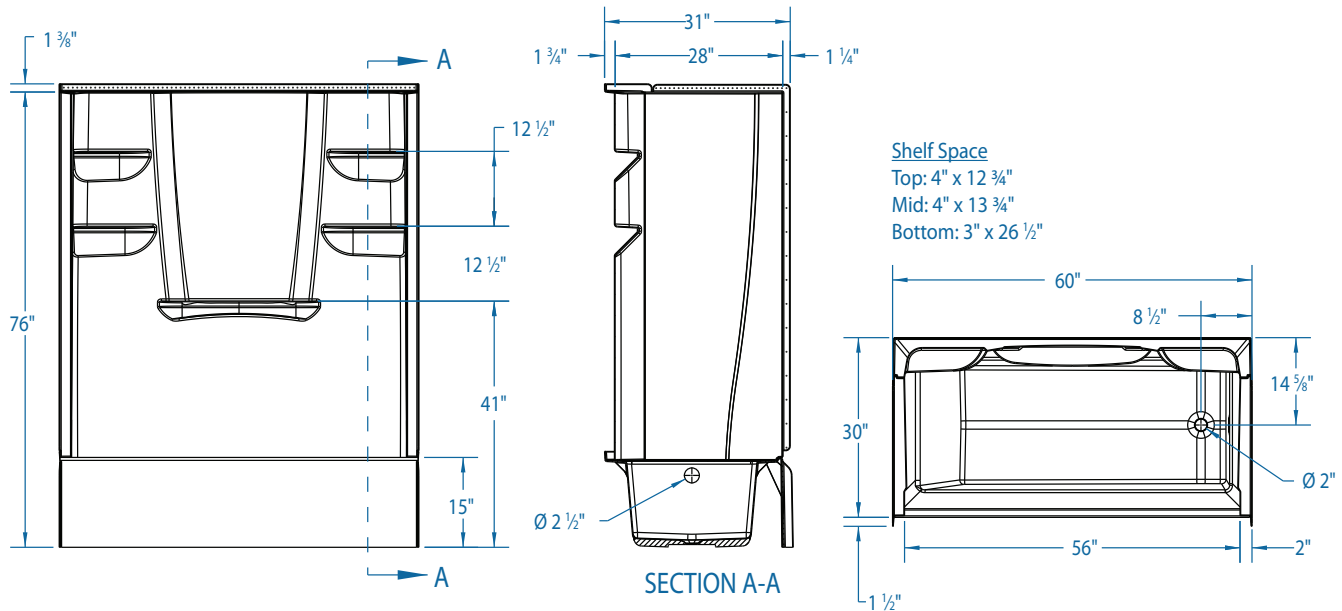


What is A² Composite?

Lightweight and durable, our A² Composite is an engineered compound of resin, glass and special fillers formed into sheets. These sheets are then placed under high pressure and heat to liquefy the compound, allowing it to flow and take the shape of almost any form imaginable. The results are simple, stylish and a snap to install.

S33A2-6030CTSMIN

60 in x 30 in x 76 in (1525 mm x 762 mm x 1930 mm)



FEATURES

Dimensional Tolerance ± 3/16". Dimensions needed for site preparation should be measured from the unit. Stream33 assumes no responsibility for preparatory work.

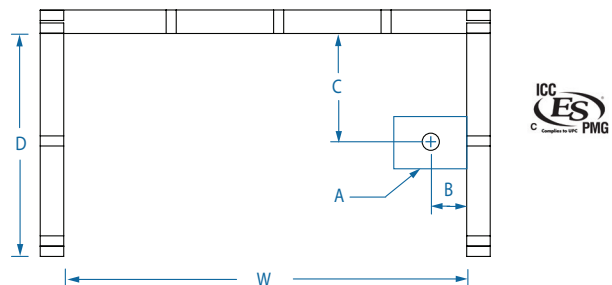
Model #	Material	Jets	Motor	Controls	Drain	Net Wt.	Pkg. Wt.
S33A2-6030CTSMIN	A ² Composite	-	-	-	Left or Right	120 lbs (55 kg)	128 lbs (58 kg)

DIMENSIONS

Specifications	
Width: Overall / Net	60 in (1525 mm)
Depth: Overall / Net	31 1/2 in (800 mm) / 30 in (762 mm)
Height: Overall / Net	77 3/8 in (1965 mm) / 76 in (1930 mm)
Enclosure Opening	56 in (1422 mm)
Skirt Height	15 in (381 mm)
Drain Rough-In (from Back Wall)	14 3/8 in (372 mm)
Drain Rough-In (from Side Wall)	2 3/4 in (70 mm)
Drain: Diameter / Clearance	2 in (51 mm) / 1/2 in (13 mm)

FRAMING DIMENSIONS

Type	D Depth	W Width	H Height	A	B	C
Alcove	31 1/2 in (800 mm)	60 in (1525 mm)	77 3/8 in (1965 mm)	Box Out	2 3/4 in (70 mm)	14 3/8 in (372 mm)



SUMP DATA

Top of Drain to Bottom of Overflow	Capacity to Overflow	WIDTH @ Centerline		DEPTH @ Centerline	
		Top	Bottom	Top	Bottom
9 1/2 in (241 mm)	36 1/2 gal (137 ltr)	51 3/8 in (1312 mm)	44 1/2 in (1130 mm)	21 3/8 in (549 mm)	19 3/8 in (498 mm)