

S33A2-4834CS

48 in x 34 in x 76 in (1220 mm x 865 mm x 1930 mm)



FEATURES

- Durable high gloss finish
- Smooth wall, 4 piece molded sectionals
- Pre-levleled base
- Caulkless installation
- Leakproof right angle joint flanges
- Easy wedge & lock installation
- Multiple integral soap shelves
- Center drain
- Slip resistant, textured bottom
- Available in White
- 15-year residential limited warranty



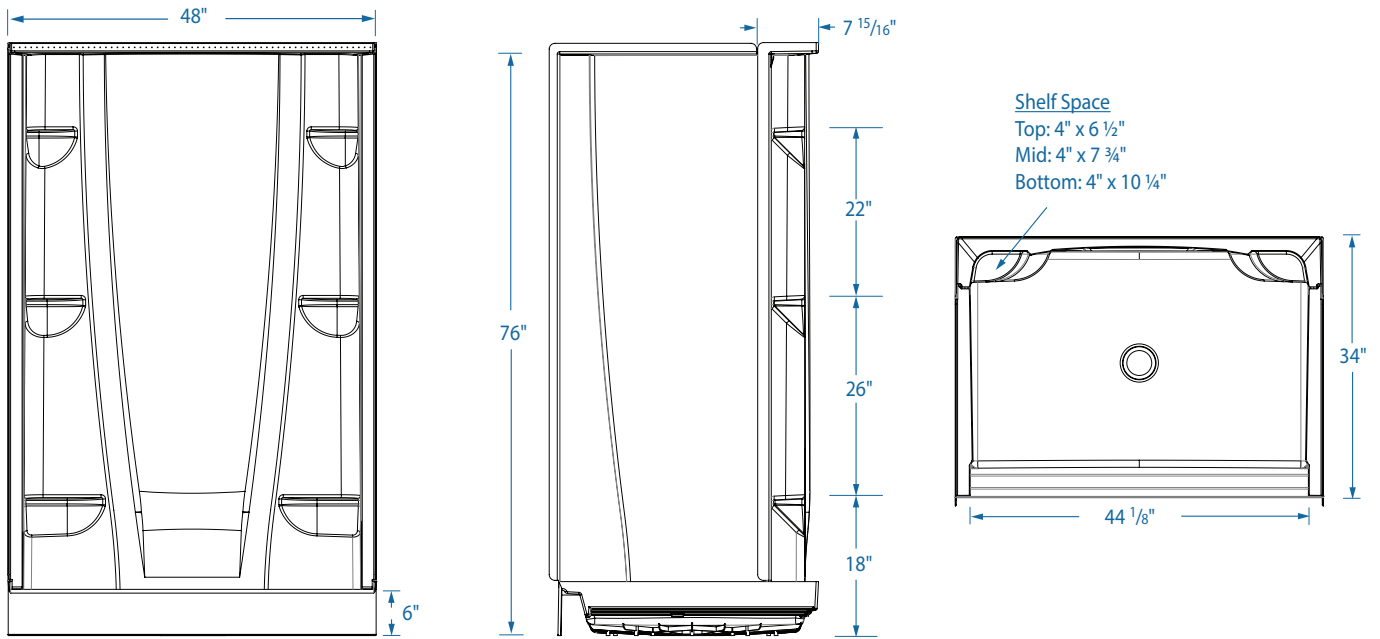
What is A² Composite?

Lightweight and durable, our A² Composite is an engineered compound of resin, glass and special fillers formed into sheets. These sheets are then placed under high pressure and heat to liquefy the compound, allowing it to flow and take the shape of almost any form imaginable. The results are simple, stylish and a snap to install.



S33A2-4834CS

48 in x 34 in x 76 in (1220 mm x 865 mm x 1930 mm)



FEATURES

Dimensional Tolerance $\pm \frac{3}{8}$ ". Dimensions needed for site preparation should be measured from the unit. Stream33 assumes no responsibility for preparatory work.

Model #	Material	Wall Finish	Pieces	Drain	Seat	Net Wt.	Pkg. Wt.
S33A2-4834CS	A ² Composite	Smooth	4	Center	-	116 lbs (53 kg)	124 lbs (56 kg)

DIMENSIONS

Specifications	
Width: Overall / Net	48 in (1220 mm)
Depth: Overall / Net	35 1/8 in (895 mm) / 34 in (865 mm)
Height: Overall / Net	77 3/8 in (1965 mm) / 76 in (1930 mm)
Enclosure Opening	44 1/8 in (1120 mm)
Skirt Height	6 in (150 mm)
Drain Rough-In (from Back Wall)	16 1/2 in (420 mm)
Drain Rough-In (from Side Wall)	24 in (610 mm)
Drain: Diameter / Clearance	3 1/4 in (85 mm) / 3/8 in (10 mm)

FRAMING DIMENSIONS

Type	D Depth	W Width	H Height	A	B	C
Alcove	35 1/8 in (895 mm)	48 in (1220 mm)	-	Box Out	24 in (610 mm)	16 1/2 in (420 mm)

