

S33A2-6030CS

60 in x 30 in x 76 in (1525 mm x 760 mm x 1930 mm)



FEATURES

- Durable high gloss finish
- Smooth wall, 4 piece molded sectionals
- Pre-leveled base
- Caulkless installation
- Leakproof right angle joint flanges
- Easy wedge & lock installation
- Multiple integral soap shelves
- Left, right drain
- Slip resistant, textured bottom
- Available in White
- 15-year residential limited warranty



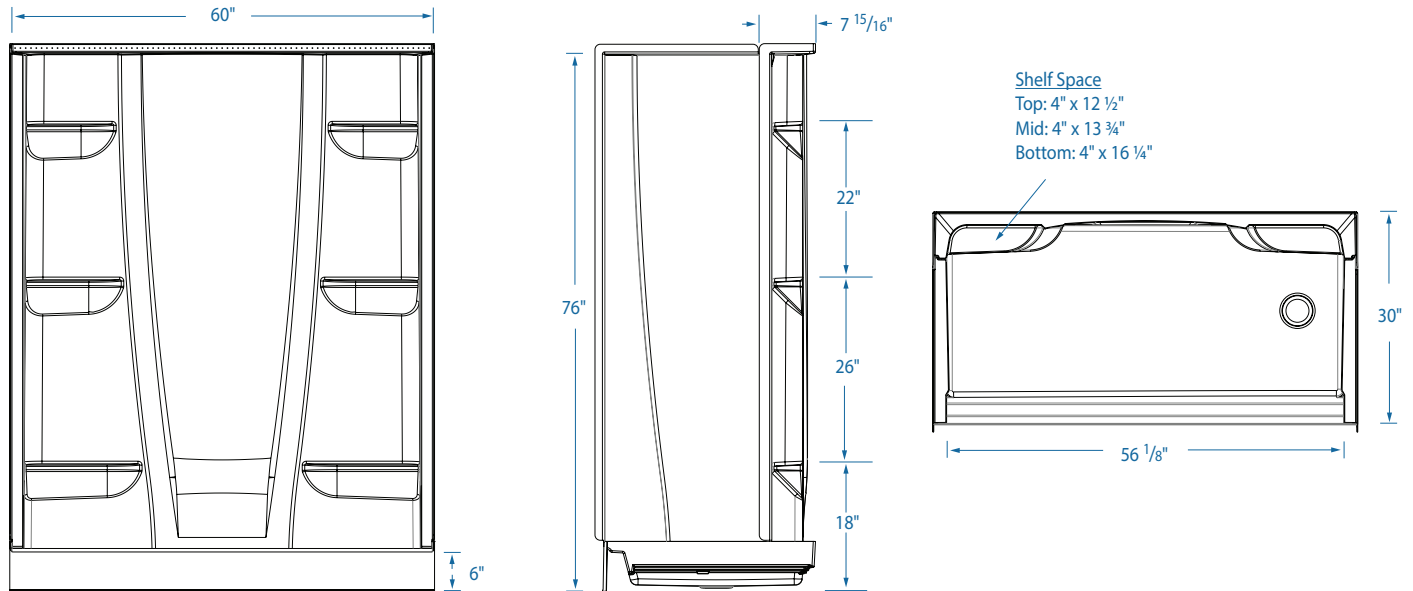
What is A² Composite?

Lightweight and durable, our A² Composite is an engineered compound of resin, glass and special fillers formed into sheets. These sheets are then placed under high pressure and heat to liquefy the compound, allowing it to flow and take the shape of almost any form imaginable. The results are simple, stylish and a snap to install.



S33A2-6030CS

60 in x 30 in x 76 in (1525 mm x 760 mm x 1930 mm)



FEATURES Dimensional Tolerance $\pm \frac{3}{8}$ ". Dimensions needed for site preparation should be measured from the unit. Stream33 assumes no responsibility for preparatory work.

Model #	Material	Wall Finish	Pieces	Drain	Seat	Net Wt.	Pkg. Wt.
S33A2-6030CS	A ² Composite	Smooth	4	Left or Right	-	126 lbs (57 kg)	134 lbs (61 kg)

DIMENSIONS

Specifications	
Width: Overall / Net	60 in (1525 mm)
Depth: Overall / Net	31 1/4 in (790 mm) / 30 in (760 mm)
Height: Overall / Net	77 3/8 in (1965 mm) / 76 in (1930 mm)
Enclosure Opening	56 1/8 in (1425 mm)
Skirt Height	6 in (150 mm)
Drain Rough-In (from Back Wall)	14 in (355 mm)
Drain Rough-In (from Side Wall)	8 1/2 in (215 mm)
Drain: Diameter / Clearance	3 1/4 in (85 mm) / \emptyset

FRAMING DIMENSIONS

Type	D Depth	W Width	H Height	A	B	C
Alcove	31 1/4 in (790 mm)	60 in (1525 mm)	-	Box Out	8 1/2 in (215 mm)	14 in (355 mm)

