

### S33A2-6034CSA

60 in x 34 in x 76 in (1525 mm x 865 mm x 1930 mm)



#### FEATURES

- Reinforced Age-In-Place Backing
- Durable high gloss finish
- Smooth wall, 4 piece molded sectionals
- Pre-levleled base
- Caulkless installation
- Leakproof right angle joint flanges
- Easy wedge & lock installation
- Multiple integral soap shelves
- Center drain
- Slip resistant, textured bottom
- Available in White
- 15-year residential limited warranty

#### What is A<sup>2</sup> Composite?

Lightweight and durable, our A<sup>2</sup> Composite is an engineered compound of resin, glass and special fillers formed into sheets. These sheets are then placed under high pressure and heat to liquefy the compound, allowing it to flow and take the shape of almost any form imaginable. The results are simple, stylish and a snap to install.

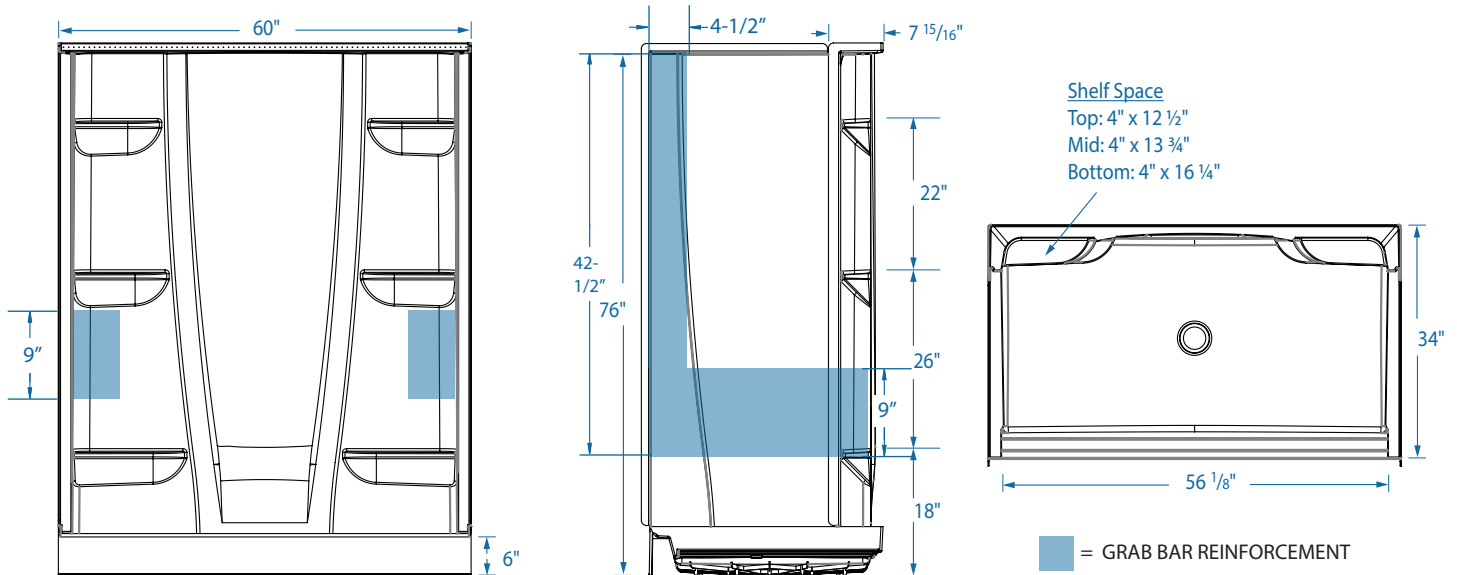
#### What Does Reinforced Age-In-Place Backing Mean?

Our reinforced walls have wood support installed on the back of every back and sidewall to provide support for the installation of grab bars. You may not need them today, but they are there to offer support when you need it in the future.



### S33A2-6034CSA

60 in x 34 in x 76 in (1525 mm x 865 mm x 1930 mm)



**FEATURES** Dimensional Tolerance  $\pm$  3%. Dimensions needed for site preparation should be measured from the unit. Stream33 assumes no responsibility for preparatory work.

Model #	Material	Wall Finish	Pieces	Drain	Seat	Net Wt.	Pkg. Wt.
S33A2-6034CSA	A <sup>2</sup> Composite	Smooth	4	Center	-	145 lbs (66 kg)	153 lbs (70 kg)

#### DIMENSIONS

Specifications	
Width: Overall / Net	60 in (1525 mm)
Depth: Overall / Net	35 1/8 in (890 mm) / 34 in (865 mm)
Height: Overall / Net	77 3/8 in (1965 mm) / 76 in (1930 mm)
Enclosure Opening	56 1/8 in (1425 mm)
Skirt Height	6 in (150 mm)
Drain Rough-In (from Back Wall)	16 1/2 in (420 mm)
Drain Rough-In (from Side Wall)	30 in (760 mm)
Drain: Diameter / Clearance	3 1/4 in (85 mm) / 3/8 in (10 mm)

#### FRAMING DIMENSIONS

Type	D Depth	W Width	H Height	A	B	C
Alcove	35 1/8 in (890 mm)	60 in (1525 mm)	-	Box Out	30 in (760 mm)	16 1/2 in (420 mm)

