

S33A2-4834CPANNS

48 in x 34 in x 6 in (1220 mm x 865 mm x 150 mm)



FEATURES

- Durable high gloss finish
- Pre-leveled base
- Center drain
- Slip-resistant, textured bottom
- Designed for tile-wall applications
- Extended tiling flange (3T)
- Enhanced front profile
- Patented design features:
 - corner drainage channels
 - step-design finishing guides
 - extended nailing flange
- Solid A² Composite material
- Available in White
- 15-year residential limited warranty



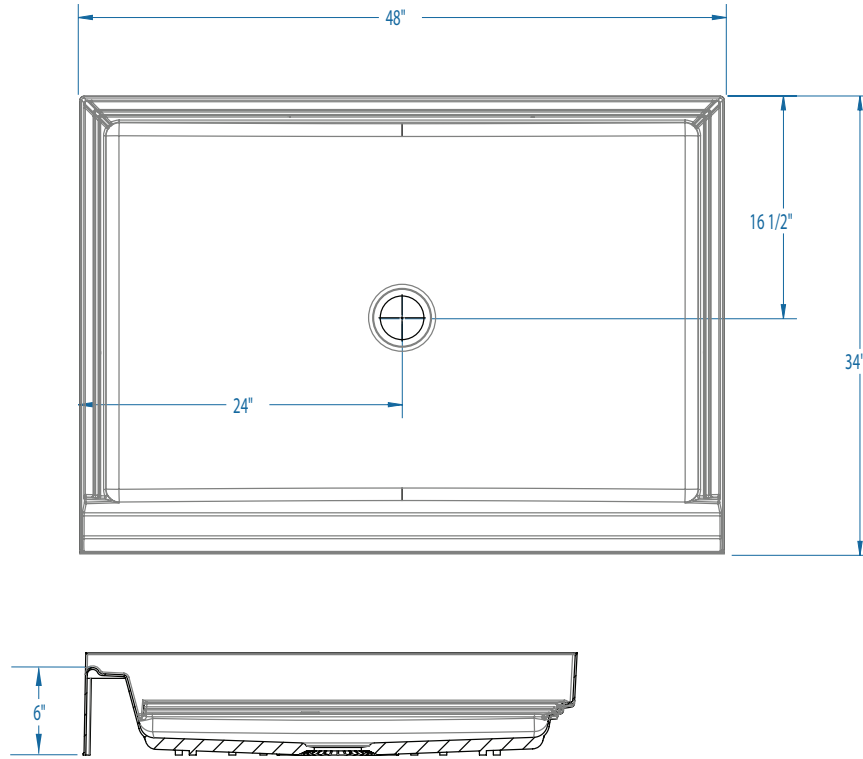
What is A² Composite?

Lightweight and durable, our A² Composite is an engineered compound of resin, glass and special fillers formed into sheets. These sheets are then placed under high pressure and heat to liquefy the compound, allowing it to flow and take the shape of almost any form imaginable. The results are simple, stylish and a snap to install.



S33A2-4834CPANNS

48 in x 34 in x 6 in (1220 mm x 865 mm x 150 mm)



FEATURES

Dimensional Tolerance $\pm 3\%$. Dimensions needed for site preparation should be measured from the unit. Stream33 assumes no responsibility for preparatory work.

| Model # | Material | Drain | Net Wt. | Pkg. Wt. |
|------------------|--------------------------|--------|----------------|----------------|
| S33A2-4834CPANNS | A ² Composite | Center | 41 lbs (19 kg) | 46 lbs (21 kg) |

DIMENSIONS

| Specifications | |
|---------------------------------|-----------------------------------|
| Width: Overall / Net | 48 in (1220 mm) |
| Depth: Overall / Net | 34 in (865 mm) |
| Height: Overall / Net | 7 in (180 mm) / 6 in (150 mm) |
| Enclosure Opening | - |
| Skirt Height | 6 in (150 mm) |
| Drain Rough-In (from Back Wall) | 16 1/2 in (420 mm) |
| Drain Rough-In (from Side Wall) | 24 in (610 mm) |
| Drain: Diameter / Clearance | 3 1/4 in (85 mm) / 3/8 in (10 mm) |

FRAMING DIMENSIONS

| Type | D Depth | W Width | H Height | A | B | C |
|--------|-------------------|--------------------|-------------|---------|-------------------|-----------------------|
| Alcove | 34 in (865 mm) | 48 in (1220 mm) | - | Box Out | 24 in (610 mm) | 16 1/2 in (420 mm) |

