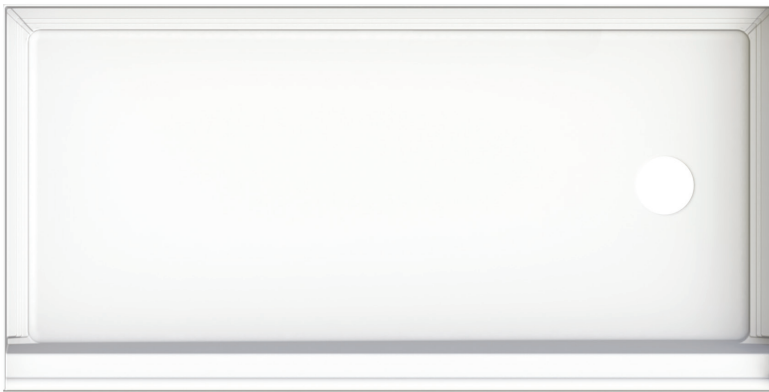


### S33A2-6030CPANNS

60 in x 30 in x 6 in (1524 mm x 762 mm x 150 mm)



#### FEATURES

- Durable high gloss finish
- Pre-leveled base
- Left, right drain
- Slip-resistant, textured bottom
- Designed for tile-wall applications
- Extended tiling flange (3T)
- Enhanced front profile
- Patented design features:
  - corner drainage channels
  - step-design finishing guides
  - extended nailing flange
- Solid A<sup>2</sup> Composite material
- Available in White
- 15-year residential limited warranty



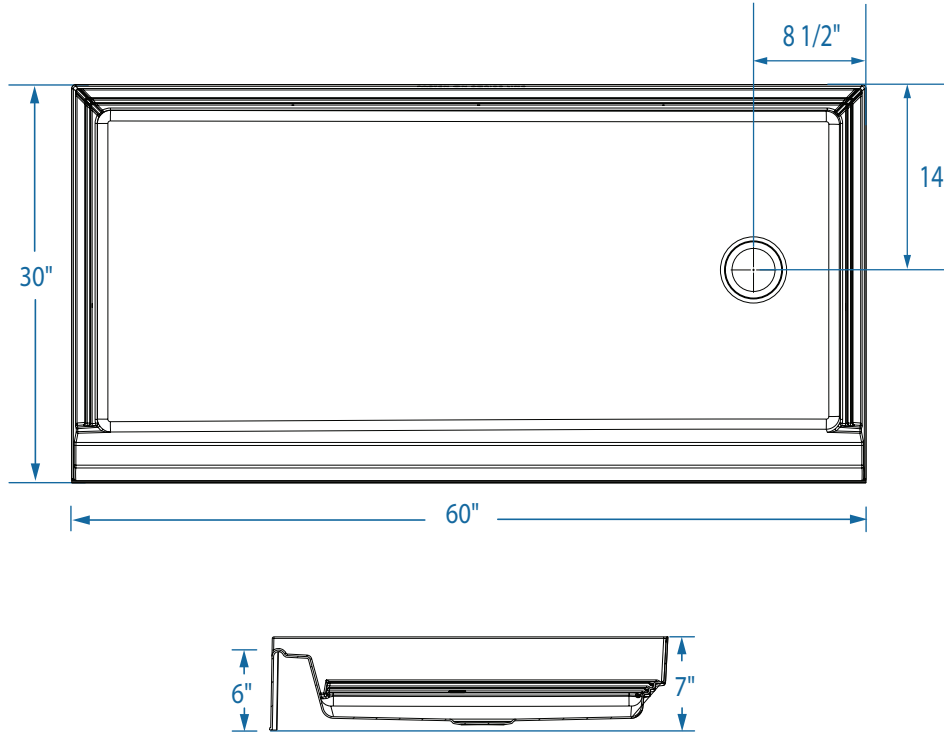
#### What is A<sup>2</sup> Composite?

Lightweight and durable, our A<sup>2</sup> Composite is an engineered compound of resin, glass and special fillers formed into sheets. These sheets are then placed under high pressure and heat to liquefy the compound, allowing it to flow and take the shape of almost any form imaginable. The results are simple, stylish and a snap to install.



# S33A2-6030CPANNS

60 in x 30 in x 6 in (1524 mm x 762 mm x 150 mm)



## FEATURES

Dimensional Tolerance  $\pm 3/8$ ". Dimensions needed for site preparation should be measured from the unit. Stream33 assumes no responsibility for preparatory work.

Model #	Material	Drain	Net Wt.	Pkg. Wt.
S33A2-6030CPANNS	A <sup>2</sup> Composite	Left or Right	47 lbs (21 kg)	55 lbs (25 kg)

## DIMENSIONS

Specifications	
Width: Overall / Net	60 in (1525 mm)
Depth: Overall / Net	30 in (760 mm)
Height: Overall / Net	7 in (180 mm) / 6 in (150 mm)
Enclosure Opening	-
Skirt Height	6 in (150 mm)
Drain Rough-In (from Back Wall)	14 in (355 mm)
Drain Rough-In (from Side Wall)	8 1/2 in (215 mm)
Drain: Diameter / Clearance	3 1/4 in (85 mm) / $\emptyset$

## FRAMING DIMENSIONS

Type	D Depth	W Width	H Height	A	B	C
Alcove	30 in (762 mm)	60 in (1524 mm)	-	Box Out	8 1/2 in (215 mm)	14 in (355 mm)

