

### S33A2-6036CTS2

60 in x 36 in x 79 in (1525 mm x 915 mm x 2005 mm)



#### FEATURES

- Durable high gloss finish
- Smooth wall, 4 piece molded sectionals
- Pre-leveled base
- Caulkless installation
- Leakproof right angle joint flanges
- Easy wedge & lock installation
- Multiple integral soap shelves
- Left, right drain
- Slip resistant, textured bottom
- Available in White
- 15-Year residential limited warranty

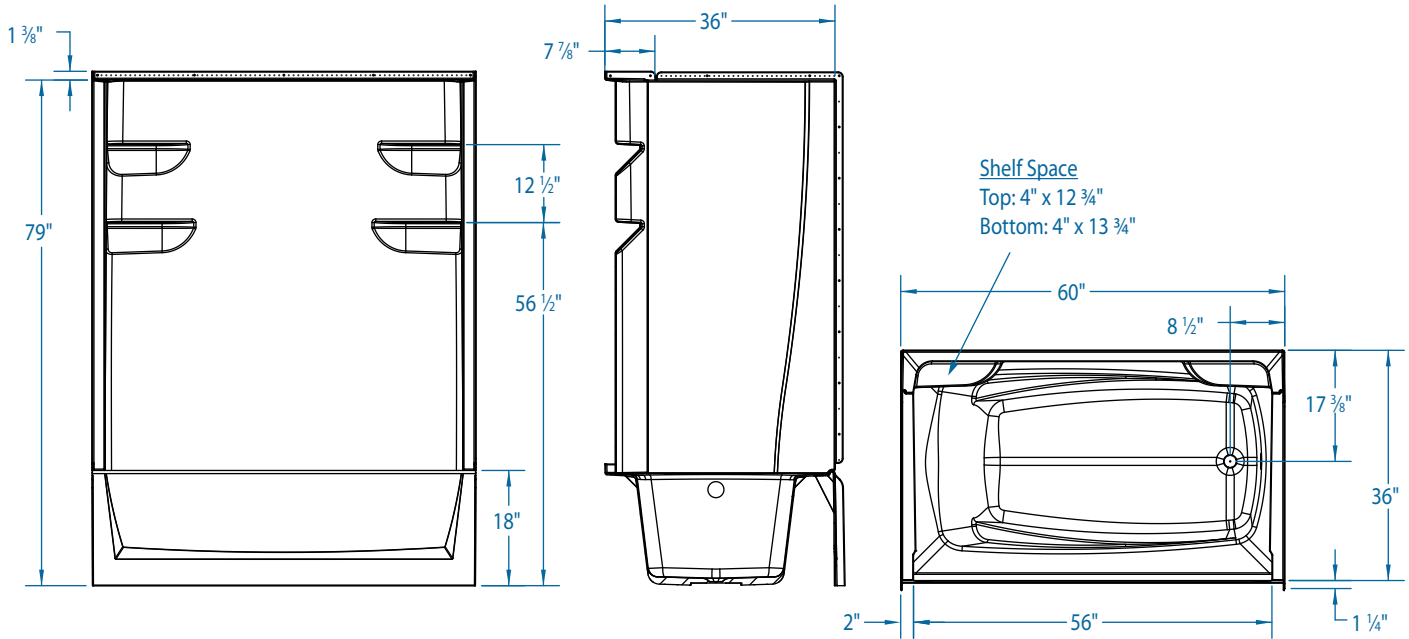


#### What is A<sup>2</sup> Composite?

Lightweight and durable, our A<sup>2</sup> Composite is an engineered compound of resin, glass and special fillers formed into sheets. These sheets are then placed under high pressure and heat to liquefy the compound, allowing it to flow and take the shape of almost any form imaginable. The results are simple, stylish and a snap to install.

### S33A2-6036CTS2

60 in x 36 in x 79 in (1525 mm x 915 mm x 2005 mm)



**FEATURES** Dimensional Tolerance  $\pm \frac{1}{8}$ ". Dimensions needed for site preparation should be measured from the unit. Stream33 assumes no responsibility for preparatory work.

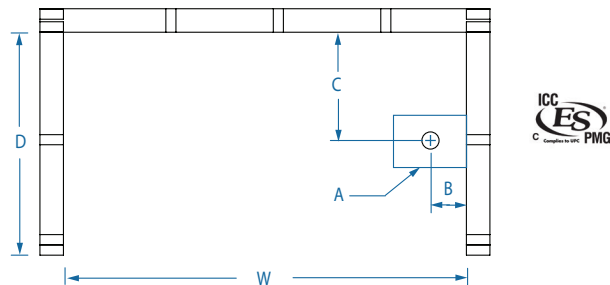
Model #	Material	Jets	Motor	Controls	Drain	Net Wt.	Pkg. Wt.
S33A2-6036CTS2	Composite	-	-	-	Left or Right	128 lbs (58 kg)	136 lbs (61 kg)

#### DIMENSIONS

Specifications	
Width: Overall / Net	60 in (1525 mm)
Depth: Overall / Net	37 1/4 in (945 mm) / 36 in (915 mm)
Height: Overall / Net	80 3/8 in (2040) / 79 in (2005 mm)
Enclosure Opening	56 in (1420 mm)
Skirt Height	18 in (460 mm)
Drain Rough-In (from Back Wall)	17 3/8 in (440 mm)
Drain Rough-In (from Side Wall)	2 in (50 mm)
Drain: Diameter / Clearance	2 in (50 mm) / 1/2 in (15 mm)

#### FRAMING DIMENSIONS

Type	D Depth	W Width	H Height	A	B	C
Alcove	37 1/4 in (945 mm)	60 in (1525 mm)	80 3/8 in (2040 mm)	Box Out	2 in (50 mm)	17 3/8 in (440 mm)



#### SUMP DATA

Top of Drain to Bottom of Overflow	Capacity to Overflow	WIDTH @ Centerline		DEPTH @ Centerline	
		Top	Bottom	Top	Bottom
12 3/8 in (320 mm)	52 gal (197 ltr)	50 1/2 in (1280 mm)	42 3/8 in (1080 mm)	27 3/8 in (695 mm)	22 3/8 in (570 mm)