

### S33A2-6042CT

60 in x 42 in x 18 in (1525 mm x 1070 mm x 460 mm)



#### FEATURES

- Durable high gloss finish
- Pre-Leveled base
- Left, right drain
- Slip-resistant, textured bottom
- Available in White
- 15-year residential limited warranty

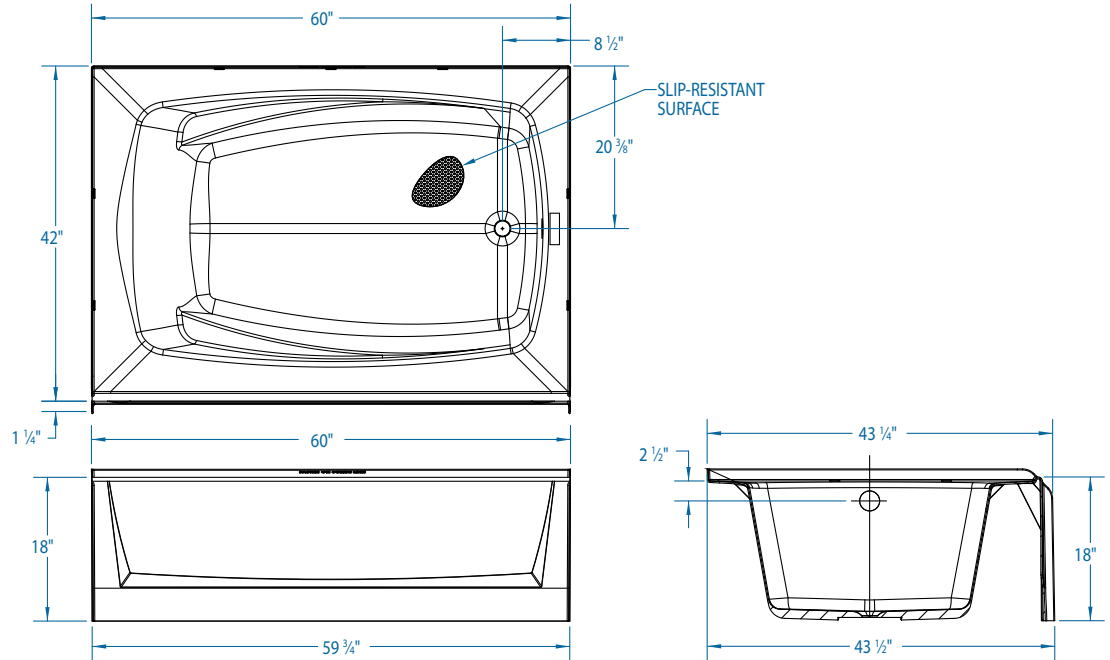


#### What is A<sup>2</sup> Composite?

Lightweight and durable, our A<sup>2</sup> Composite is an engineered compound of resin, glass and special fillers formed into sheets. These sheets are then placed under high pressure and heat to liquefy the compound, allowing it to flow and take the shape of almost any form imaginable. The results are simple, stylish and a snap to install.

### S33A2-6042CT

60 in x 42 in x 18 in (1525 mm x 1070 mm x 460 mm)



#### FEATURES

Dimensional Tolerance  $\pm \frac{1}{8}$ ". Dimensions needed for site preparation should be measured from the unit. Stream33 assumes no responsibility for preparatory work.

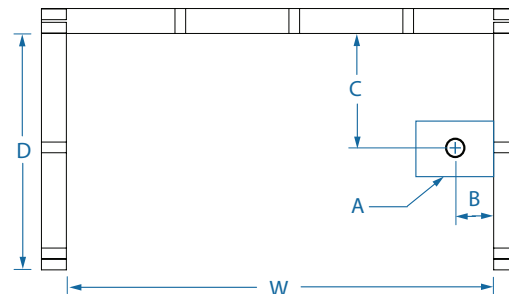
Model #	Material	Jets	Motor	Controls	Drain	Net Wt.	Pkg. Wt.
S33A2-6042CT	A <sup>2</sup> Composite	-	-	-	Left or Right	76 lbs (34 kg)	84 lbs (38 kg)

#### DIMENSIONS

Specifications	
Width: Overall / Net	60 in (1525 mm)
Depth: Overall / Net	43 1/4 in (1100 mm) / 42 in (1070 mm)
Height: Overall / Net	19 1/2 in (495 mm) / 18 in (460 mm)
Enclosure Opening	-
Skirt Height	18 in (460 mm)
Drain Rough-In (from Back Wall)	20 3/8 in (520 mm)
Drain Rough-In (from Side Wall)	2 in (50 mm)
Drain: Diameter / Clearance	2 in (50 mm) / 1/2 in (15 mm)

#### FRAMING DIMENSIONS

Type	D Depth	W Width	H Height	A	B	C
Alcove	43 1/4 in (1100 mm)	60 in (1525 mm)	19 1/2 in (495 mm)	Box Out	2 in (50 mm)	20 3/8 in (520 mm)



#### SUMP DATA

Top of Drain to Bottom of Overflow	Capacity to Overflow	Min. Operating Capacity	WIDTH @ Centerline		DEPTH @ Centerline	
			Top	Bottom	Top	Bottom
12 3/8 in (320 mm)	65 gal (245 ltr)	-	51 3/8 in (1305 mm)	43 1/2 in (1105 mm)	33 3/8 in (855 mm)	26 3/4 in (680 mm)