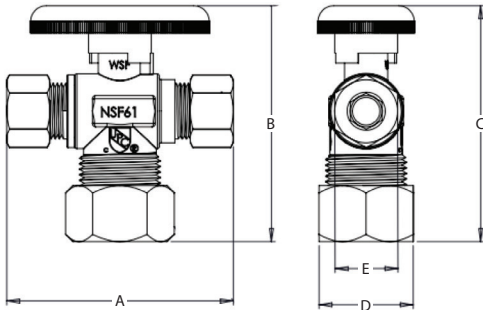




S33-EFQTDS-5838 .3344932

INLET x OUTLET	DIMENSIONS (in)				
	A	B	C	D	E
5/8" OD Comp x 3/8" OD Comp x 3/8" OD Comp	2.05	2.28	2.28	0.95	0.63



SUBMITTAL SHEET

PROJECT INFORMATION

Job Name:

Location:

Engineer:

Contractor:

P.O. Number:

Representative:

MODELS

□ S33-EFQTDS-5838

DESCRIPTION

Stream33® Dual Stop Quarter-Turn Valve connects to a supply line and allows the control of water flow to a plumbing fixture. The quarter-turn handle easily and quickly turns water flow to the end fixture on and off, making it simple to perform repairs or maintenance without needing to turn the water off in the household.

FEATURES

- Lead-free chrome-plated brass body
- Quarter-turn handle
- Dual stop valve

OPERATING SPECIFICATIONS

- Temperature rating: 41° - 160° F
- Pressure rating: 125 PSI maximum

APPROVALS

- cUPC
- NSF/ANSI 61
- AB1953

MATERIAL SPECIFICATIONS

Body	Brass
Stem	Brass
O-Ring	Rubber
Handle	Zinc
Screw	Stainless Steel
Slip Joint Washer	Brass
Slip Joint Nut	Brass
PEX Insert Material	N/A