

S33A2-6032CTSMIN2(L/R)A

60 in x 32 in x 79 in (1525 mm x 813 mm x 2007mm)



FEATURES

- Reinforced Age-In-Place Backing
- Durable high gloss finish
- Smooth wall, 4 piece molded sectionals
- Pre-leveled base
- Caulkless installation
- Leakproof right angle joint flanges
- Easy wedge & lock installation
- Multiple integral soap shelves
- Left, right drain
- Slip resistant, textured bottom
- Available in White
- 15-year residential limited warranty



What is A² Composite?

Lightweight and durable, our A² Composite is an engineered compound of resin, glass and special fillers formed into sheets. These sheets are then placed under high pressure and heat to liquefy the compound, allowing it to flow and take the shape of almost any form imaginable. The results are simple, stylish and a snap to install.

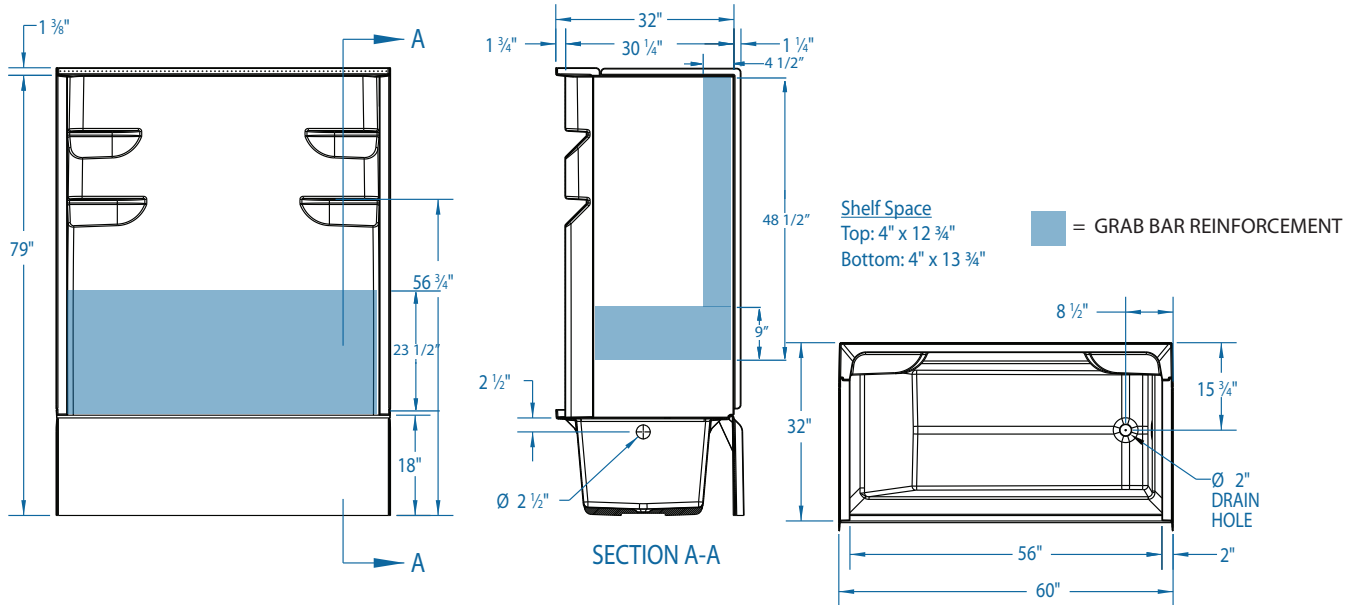
What Does Reinforced Age-In-Place Backing Mean?

Our reinforced walls have wood support installed on the back of every back and sidewall to provide support for the installation of grab bars. You may not need them today, but they are there to offer support when you need it in the future.



S33A2-6032CTSMIN2(L/R)A

60 in x 32 in x 79 in (1525 mm x 813 mm x 2007 mm)



FEATURES

Dimensional Tolerance $\pm 3\%$. Dimensions needed for site preparation should be measured from the unit. Stream33 assumes no responsibility for preparatory work.

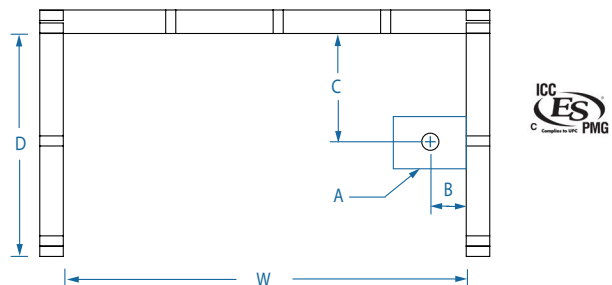
Model #	Material	Jets	Motor	Controls	Drain	Net Wt.	Pkg. Wt.
S33A2-6032CTSMIN2(L/R)A	A ² Composite	-	-	-	Left (L) or Right (R)	151 lbs (69 kg)	159 lbs (72 kg)

DIMENSIONS

Specifications	
Width: Overall / Net	60 in (1525 mm)
Depth: Overall / Net	33 1/2 in (851 mm) / 32 in (813 mm)
Height: Overall / Net	80 3/8 in (2042 mm) / 79 in (2007 mm)
Enclosure Opening	56 in (1422 mm)
Skirt Height	18 in (457 mm)
Drain Rough-In (from Back Wall)	15 3/4 in (400 mm)
Drain Rough-In (from Side Wall)	2 3/4 in (70 mm)
Drain: Diameter / Clearance	2 in (51 mm) / 1/2 in (13 mm)

FRAMING DIMENSIONS

Type	D Depth	W Width	H Height	A	B	C
Alcove	33 1/2 in (851 mm)	60 in (1525 mm)	80 3/8 in (2042 mm)	Box Out	2 3/4 in (70 mm)	15 3/4 in (400 mm)



SUMP DATA

Top of Drain to Bottom of Overflow	Capacity to Overflow	WIDTH @ Centerline		DEPTH @ Centerline	
		Top	Bottom	Top	Bottom
12 3/8 in (321 mm)	52 3/10 gal (198 ltr)	51 3/8 in (1312 mm)	42 1/2 in (1070 mm)	23 3/8 in (606 mm)	21 3/8 in (543 mm)