

S33A2-3232CS

32 in x 32 in x 76 in (815 mm x 815 mm x 1930 mm)



FEATURES

- Durable high gloss finish
- Smooth wall, 4 piece molded sectionals
- Pre-leveled base
- Caulkless installation
- Leakproof right angle joint flanges
- Easy wedge & lock installation
- Multiple integral soap shelves
- Center drain
- Slip-resistant, textured bottom
- Available in White
- 15-year residential limited warranty



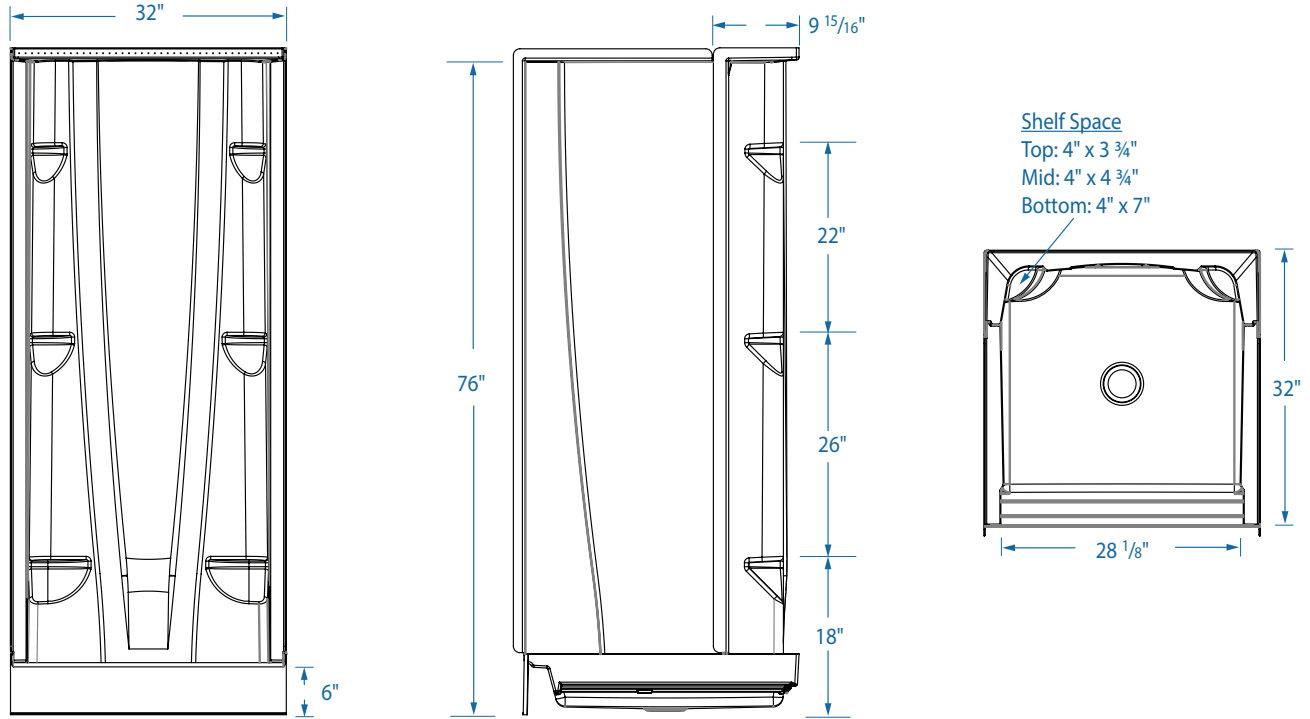
What is A² Composite?

Lightweight and durable, our A² Composite is an engineered compound of resin, glass and special fillers formed into sheets. These sheets are then placed under high pressure and heat to liquefy the compound, allowing it to flow and take the shape of almost any form imaginable. The results are simple, stylish and a snap to install.



S33A2-3232CS

32 in x 32 in x 76 in (815 mm x 815 mm x 1930 mm)



FEATURES Dimensional Tolerance $\pm \frac{3}{16}$ ". Dimensions needed for site preparation should be measured from the unit. Stream33 assumes no responsibility for preparatory work.

Model #	Material	Wall Finish	Pieces	Drain	Seat	Net Wt.	Pkg. Wt.
S33A2-3232CS	A ² Composite	Smooth	4	Center	-	90 lbs (41 kg)	98 lbs (44 kg)

DIMENSIONS

Specifications	
Width: Overall / Net	32 in (815 mm)
Depth: Overall / Net	33 $\frac{1}{8}$ in (840 mm) / 32 in (815 mm)
Height: Overall / Net	77 $\frac{3}{8}$ in (1965 mm) / 76 in (1930 mm)
Enclosure Opening	28 $\frac{1}{8}$ in (715 mm)
Skirt Height	6 in (150 mm)
Drain Rough-In (from Back Wall)	15 $\frac{1}{2}$ in (395 mm)
Drain Rough-In (from Side Wall)	16 in (405 mm)
Drain: Diameter / Clearance	3 $\frac{1}{4}$ in (85 mm) / $\frac{3}{8}$ in (10 mm)

FRAMING DIMENSIONS

Type	D Depth	W Width	H Height	A	B	C
Alcove	33 $\frac{1}{8}$ in (840 mm)	32 in (815 mm)	-	Box Out	16 in (405 mm)	15 $\frac{1}{2}$ in (395 mm)

