

S33A2-3636CS

36 in x 36 in x 76 in (915 mm x 915 mm x 1930 mm)



FEATURES

- Durable high gloss finish
- Smooth wall, 4 piece molded sectionals
- Pre-leveled base
- Caulkless installation
- Leakproof right angle joint flanges
- Easy wedge & lock installation
- Multiple integral soap shelves
- Center drain
- Slip resistant, textured bottom
- Available in White
- 15-year residential limited warranty



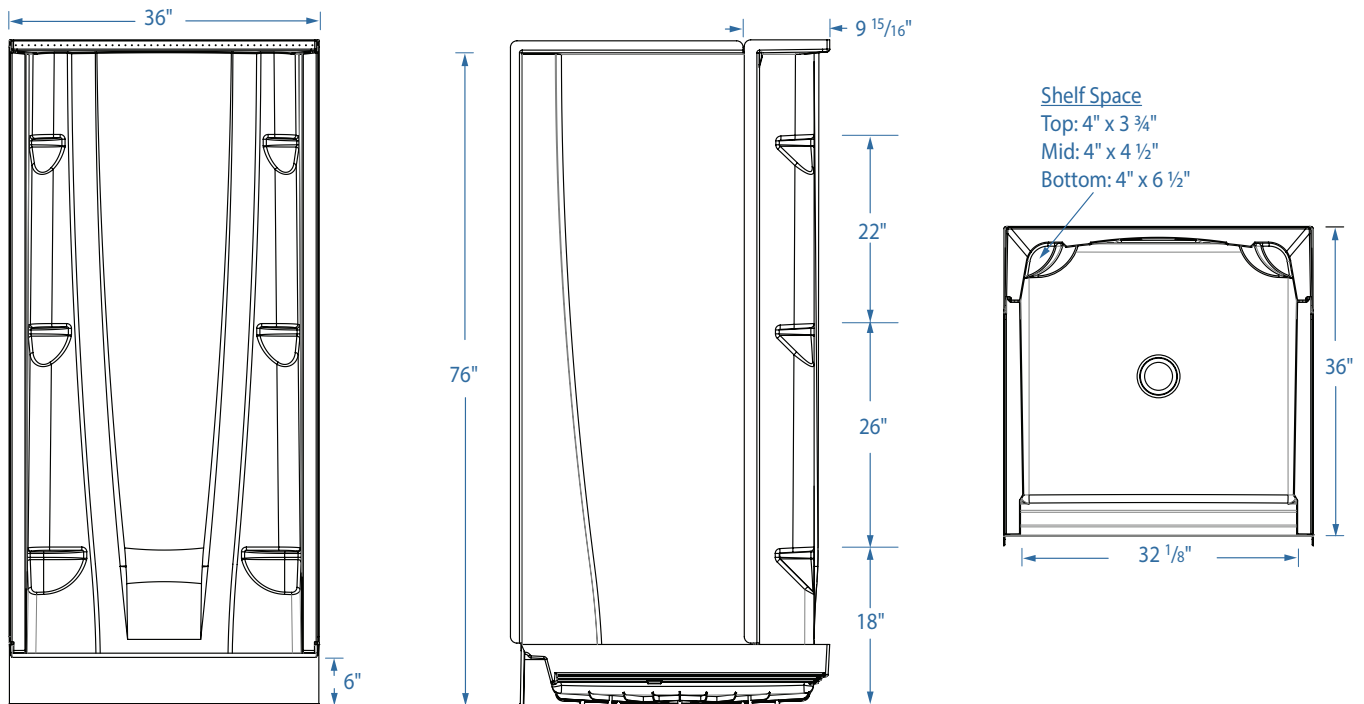
What is A² Composite?

Lightweight and durable, our A² Composite is an engineered compound of resin, glass and special fillers formed into sheets. These sheets are then placed under high pressure and heat to liquefy the compound, allowing it to flow and take the shape of almost any form imaginable. The results are simple, stylish and a snap to install.



S33A2-3636CS

36 in x 36 in x 76 in (915 mm x 915 mm x 1930 mm)



FEATURES Dimensional Tolerance $\pm \frac{3}{16}$ ". Dimensions needed for site preparation should be measured from the unit. Stream33 assumes no responsibility for preparatory work.

| Model # | Material | Wall Finish | Pieces | Drain | Seat | Net Wt. | Pkg. Wt. |
|--------------|--------------------------|-------------|--------|--------|------|----------------|-----------------|
| S33A2-3636CS | A ² Composite | Smooth | 4 | Center | - | 99 lbs (45 kg) | 107 lbs (49 kg) |

DIMENSIONS

| Specifications | |
|---------------------------------|---------------------------------------|
| Width: Overall / Net | 36 in (915 mm) |
| Depth: Overall / Net | 37 1/8 in (945 mm) / 36 in (915 mm) |
| Height: Overall / Net | 77 3/8 in (1965 mm) / 76 in (1930 mm) |
| Enclosure Opening | 32 1/8 in (815 mm) |
| Skirt Height | 6 in (150 mm) |
| Drain Rough-In (from Back Wall) | 17 1/2 in (445 mm) |
| Drain Rough-In (from Side Wall) | 18 in (455 mm) |
| Drain: Diameter / Clearance | 3 1/4 in (85 mm) / 3/8 in (10 mm) |

FRAMING DIMENSIONS

| Type | D Depth | W Width | H Height | A | B | C |
|--------|-----------------------|-------------------|-------------|---------|-------------------|-----------------------|
| Alcove | 37 1/8 in (945 mm) | 36 in (915 mm) | - | Box Out | 18 in (450 mm) | 17 1/2 in (445 mm) |

