

S33A2-3636CPANNS

36 in x 36 in x 6 in (915 mm x 915 mm x 150 mm)



FEATURES

- Durable high gloss finish
- Pre-leveled base
- Center drain
- Slip-resistant, textured bottom
- Designed for tile-wall applications
- Extended tiling flange (3T)
- Enhanced front profile
- Patented design features:
 - corner drainage channels
 - step-design finishing guides
 - extended nailing flange
- Solid A² Composite material
- Available in White
- 15-year residential limited warranty



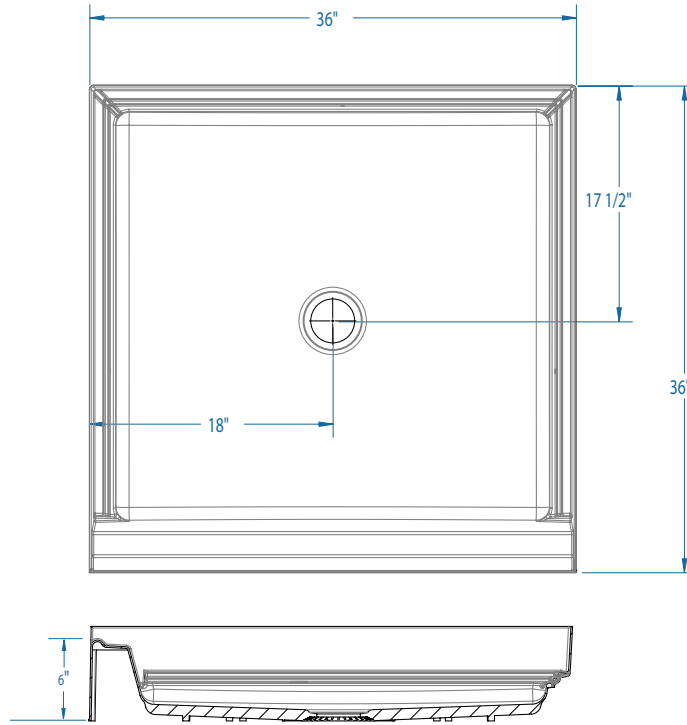
What is A² Composite?

Lightweight and durable, our A² Composite is an engineered compound of resin, glass and special fillers formed into sheets. These sheets are then placed under high pressure and heat to liquefy the compound, allowing it to flow and take the shape of almost any form imaginable. The results are simple, stylish and a snap to install.



S33A2-3636CPANNS

36 in x 36 in x 6 in (915 mm x 915 mm x 150 mm)



FEATURES

Dimensional Tolerance $\pm \frac{3}{16}$ ". Dimensions needed for site preparation should be measured from the unit. Stream33 assumes no responsibility for preparatory work.

Model #	Material	Drain	Net Wt.	Pkg. Wt.
S33A2-3636CPANNS	A ² Composite	Center	34 lbs (15 kg)	39 lbs (18 kg)

DIMENSIONS

Specifications	
Width: Overall / Net	36 in (915 mm)
Depth: Overall / Net	36 in (915 mm)
Height: Overall / Net	7 in (180 mm) / 6 in (150 mm)
Enclosure Opening	-
Skirt Height	6 in (150 mm)
Drain Rough-In (from Back Wall)	17 ½ in (445 mm)
Drain Rough-In (from Side Wall)	18 in (455 mm)
Drain: Diameter / Clearance	3 ¼ in (85 mm) / ¾ in (10 mm)

FRAMING DIMENSIONS

Type	D Depth	W Width	H Height	A	B	C
Alcove	36 in (915 mm)	36 in (915 mm)	-	Box Out	18 in (455 mm)	17 ½ in (445 mm)

