

S33A2-4242CPANNS

42 in x 42 in x 6 in (1070 mm x 1070 mm x 150 mm)



FEATURES

- Durable high gloss finish
- Pre-leveled base
- Center drain
- Slip-resistant, textured bottom
- Designed for tile-wall applications
- Extended tiling flange (3T)
- Enhanced front profile
- Patented design features:
 - corner drainage channels
 - step-design finishing guides
 - extended nailing flange
- Solid A² Composite material
- Available in White
- 15-year residential limited warranty



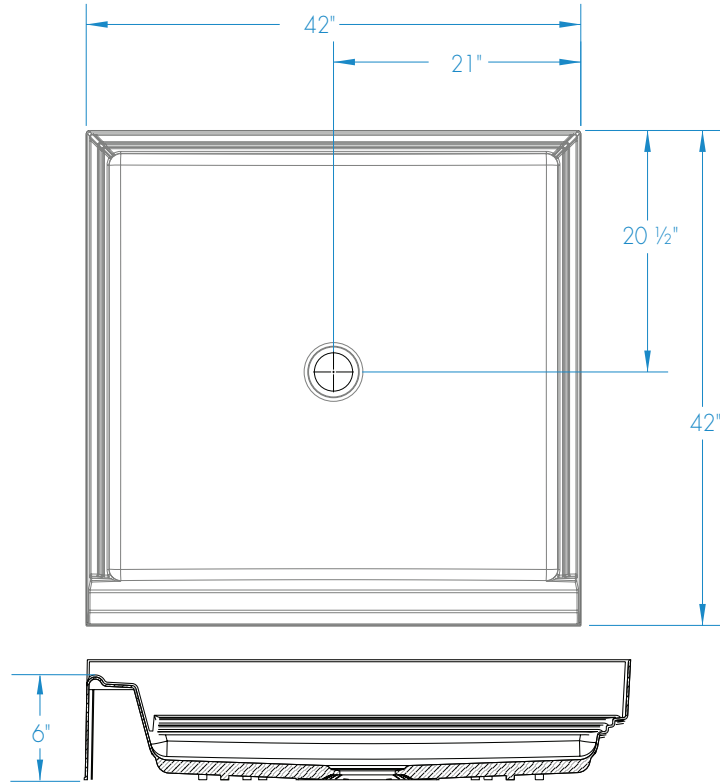
What is A² Composite?

Lightweight and durable, our A² Composite is an engineered compound of resin, glass and special fillers formed into sheets. These sheets are then placed under high pressure and heat to liquefy the compound, allowing it to flow and take the shape of almost any form imaginable. The results are simple, stylish and a snap to install.



S33A2-4242CPANNS

42 in x 42 in x 6 in (1070 mm x 1070 mm x 150 mm)



FEATURES Dimensional Tolerance $\pm \frac{3}{16}$ ". Dimensions needed for site preparation should be measured from the unit. Stream33 assumes no responsibility for preparatory work.

Model #	Material	Drain	Net Wt.	Pkg. Wt.
S33A2-4242CPANNS	A ² Composite	Center	42 lbs (19 kg)	47 lbs (21 kg)

DIMENSIONS

Specifications	
Width: Overall / Net	42 in (1070 mm)
Depth: Overall / Net	42 in (1070 mm)
Height: Overall / Net	7 in (180 mm) / 6 in (150 mm)
Enclosure Opening	-
Skirt Height	6 in (150 mm)
Drain Rough-In (from Back Wall)	20 ½ in (520 mm)
Drain Rough-In (from Side Wall)	21 in (535 mm)
Drain: Diameter / Clearance	3 ¼ in (85 mm) / 3/8 in (10 mm)

FRAMING DIMENSIONS

Type	D Depth	W Width	H Height	A	B	C
Alcove	42 in (1065 mm)	42 in (1065 mm)	-	Box Out	21 in (535 mm)	20 ½ in (520 mm)

