

S33A2-6030CTS2

60 in x 30 in x 76 in (1525 mm x 760 mm x 1930 mm)



FEATURES

- Durable high gloss finish
- Smooth wall, 4 piece molded sectionals
- Pre-leveled base
- Caulkless installation
- Leakproof right angle joint flanges
- Easy wedge & lock installation
- Multiple integral soap shelves
- Left, right drain
- Slip resistant, textured bottom
- Available in White
- 15-year residential limited warranty



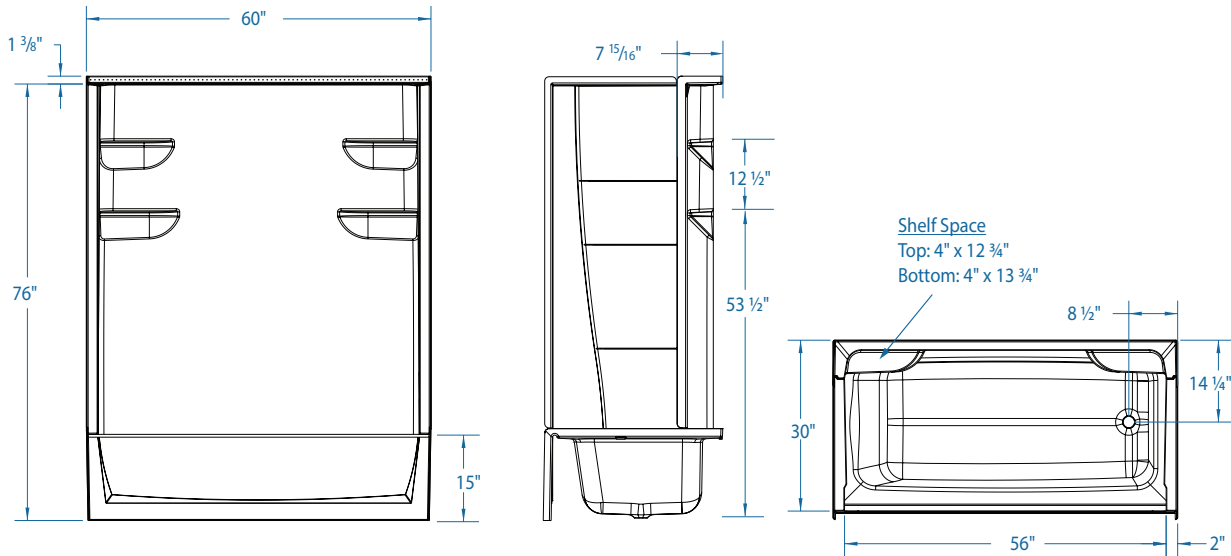
What is A² Composite?

Lightweight and durable, our A² Composite is an engineered compound of resin, glass and special fillers formed into sheets. These sheets are then placed under high pressure and heat to liquefy the compound, allowing it to flow and take the shape of almost any form imaginable. The results are simple, stylish and a snap to install.



S33A2-6030CTS2

60 in x 30 in x 76 in (1525 mm x 760 mm x 1930 mm)



FEATURES

Dimensional Tolerance $\pm \frac{3}{16}$ ". Dimensions needed for site preparation should be measured from the unit. Stream33 assumes no responsibility for preparatory work.

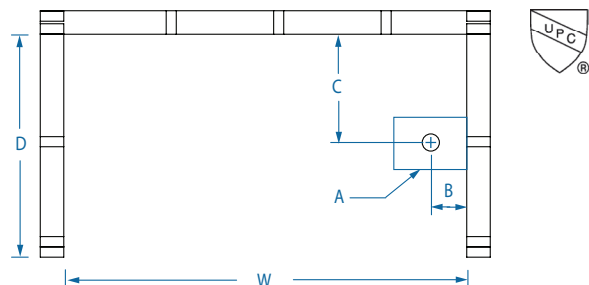
Model #	Material	Jets	Motor	Controls	Drain	Net Wt.	Pkg. Wt.
S33A2-6030CTS2	A ² Composite	-	-	-	Left or Right	120 lbs (54 kg)	128 lbs (58 kg)

DIMENSIONS

Specifications	
Width: Overall / Net	60 in (1525 mm)
Depth: Overall / Net	31 1/4 in (795 mm) / 30 in (760 mm)
Height: Overall / Net	77 3/8 in (1965 mm) / 76 in (1930 mm)
Enclosure Opening	56 in (1420 mm)
Skirt Height	15 in (380 mm)
Drain Rough-In (from Back Wall)	14 1/4 in (360 mm)
Drain Rough-In (from Side Wall)	2 3/4 in (70 mm)
Drain: Diameter / Clearance	2 in (50 mm) / 1/2 in (15 mm)

FRAMING DIMENSIONS

Type	D Depth	W Width	H Height	A	B	C
Alcove	31 1/4 in (795 mm)	60 in (1525 mm)	77 3/8 in (1965 mm)	Box Out	2 3/4 in (70 mm)	14 1/4 in (360 mm)



SUMP DATA

Top of Drain to Bottom of Overflow	Capacity to Overflow	WIDTH at Centerline		DEPTH at Centerline	
		Top	Bottom	Top	Bottom
9 7/8 in (250 mm)	37 gal (940 ltr)	51 1/2 in (1310 mm)	45 1/2 in (1155 mm)	22 1/4 in (540 mm)	20 1/2 in (520 mm)