

S33A2-6042CTSM

60 in x 42 in x 82 in (1525 mm x 1070 mm x 2080 mm)



FEATURES

- Above Floor Rough (AFR)
- Durable high gloss finish
- Smooth wall, 4 piece molded sectionals
- Pre-leveled base
- Caulkless installation
- Leakproof right angle joint flanges
- Easy wedge & lock installation
- Multiple integral soap shelves
- Left, right drain
- Slip-resistant, textured bottom
- Available in White
- 15-Year residential limited warranty

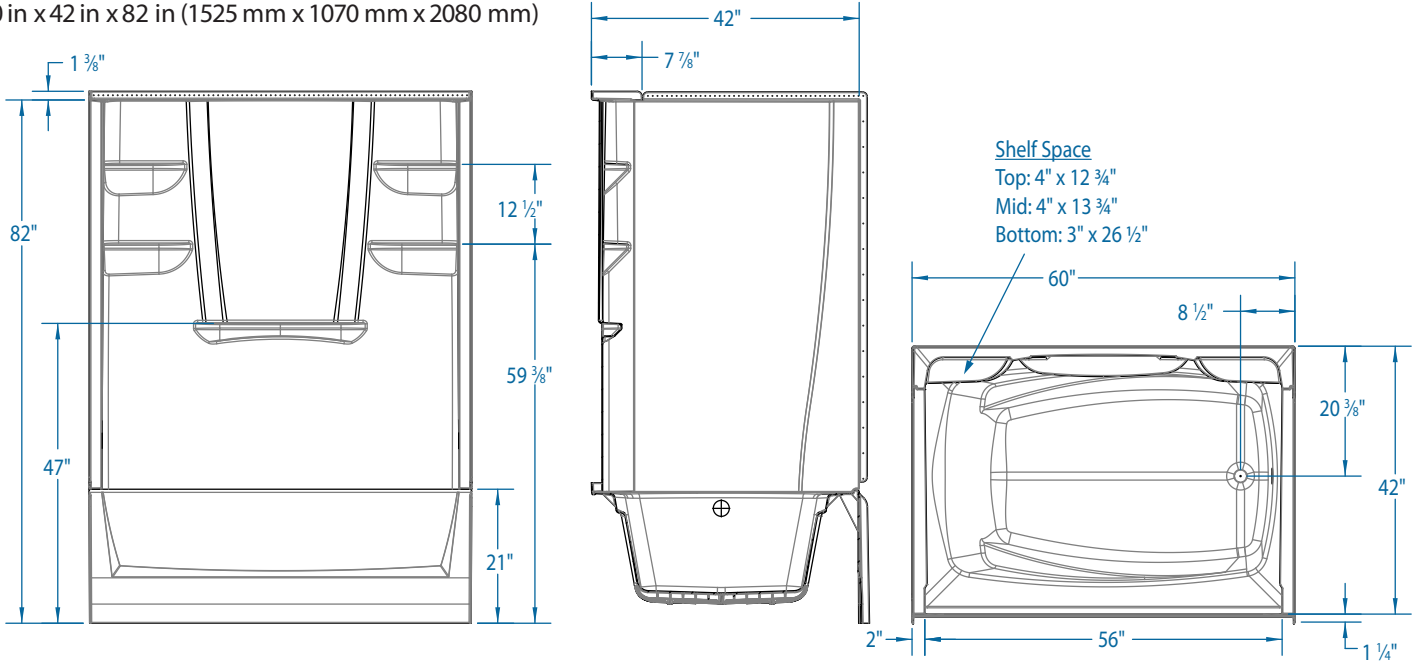


What is A² Composite?

Lightweight and durable, our A² Composite is an engineered compound of resin, glass and special fillers formed into sheets. These sheets are then placed under high pressure and heat to liquefy the compound, allowing it to flow and take the shape of almost any form imaginable. The results are simple, stylish and a snap to install.

S33A2-6042CTSM

60 in x 42 in x 82 in (1525 mm x 1070 mm x 2080 mm)



FEATURES Dimensional Tolerance $\pm \frac{3}{8}$ ". Dimensions needed for site preparation should be measured from the unit. Stream33 assumes no responsibility for preparatory work.

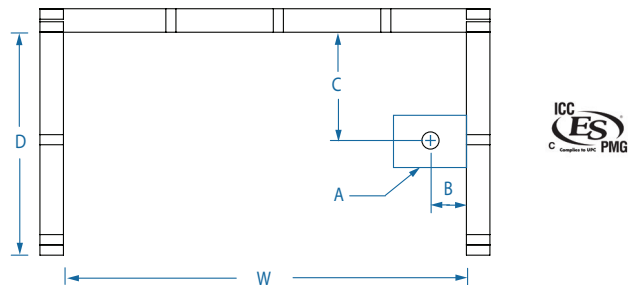
Model #	Material	Jets	Motor	Controls	Drain	Net Wt.	Pkg. Wt.
S33A2-6042CTSM	Composite	-	-	-	Left or Right	140 lbs (63 kg)	148 lbs (67 kg)

DIMENSIONS

Specifications	
Width: Overall / Net	60 in (1525 mm)
Depth: Overall / Net	43 1/4 in (1100 mm) / 42 in (1070 mm)
Height: Overall / Net	83 3/8 in (2120 mm) / 82 in (2080 mm)
Enclosure Opening	56 in (1420 mm)
Skirt Height	21 in (530 mm)
Drain Rough-In (from Back Wall)	20 3/8 in (520 mm)
Drain Rough-In (from Side Wall)	2 in (50 mm)
Drain: Diameter / Clearance	2 in (50 mm) / 3 1/2 in (90 mm)

FRAMING DIMENSIONS

Type	D Depth	W Width	H Height	A	B	C
Alcove	43 1/4 in (1100 mm)	60 in (1525 mm)	83 3/8 in (2120 mm)	Box Out	2 in (50 mm)	20 3/8 in (520 mm)



SUMP DATA

Top of Drain to Bottom of Overflow	Capacity to Overflow	WIDTH @ Centerline		DEPTH @ Centerline	
		Top	Bottom	Top	Bottom
12 3/8 in (320 mm)	65 gal in (245 ltr)	51 3/8 in (1310 mm)	43 1/2 in (1105 mm)	33 3/8 in (855 mm)	26 3/4 in (680 mm)