

S33A2-6036CT

60 in x 36 in x 18 in (1525 mm x 915 mm x 460 mm)



FEATURES

- Durable high gloss finish
- Pre-leveled base
- Left, right drain
- Slip resistant, textured bottom
- Available in White
- 15-Year residential limited warranty



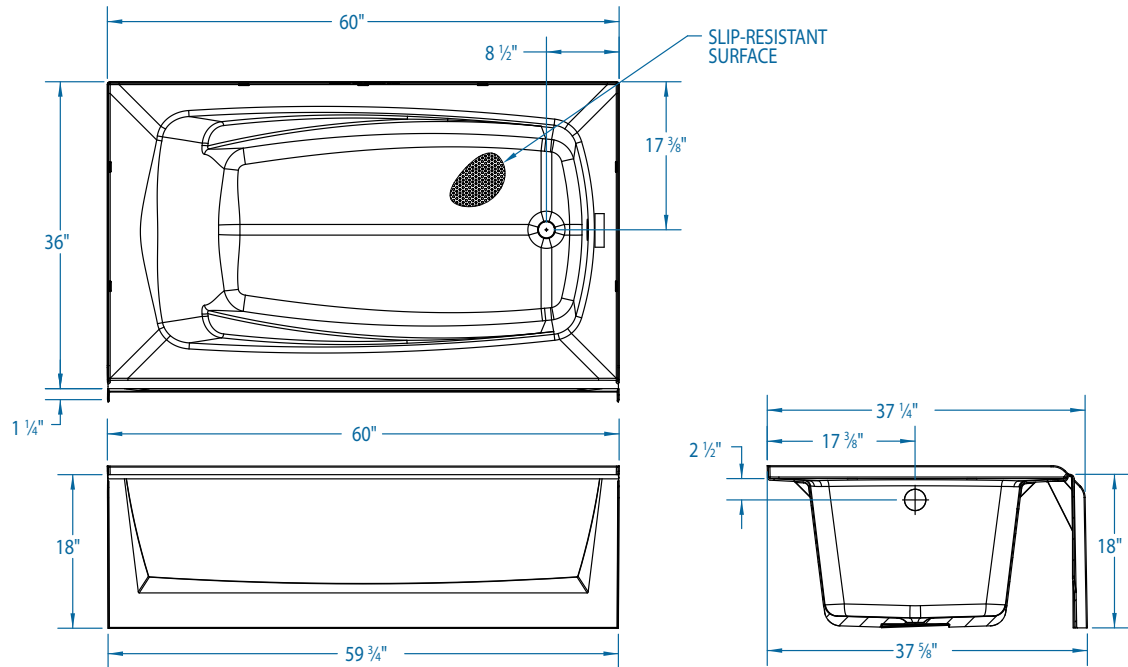
What is A² Composite?

Lightweight and durable, our A² Composite is an engineered compound of resin, glass and special fillers formed into sheets. These sheets are then placed under high pressure and heat to liquefy the compound, allowing it to flow and take the shape of almost any form imaginable. The results are simple, stylish and a snap to install.



S33A2-6036CT

60 in x 36 in x 18 in (1525 mm x 915 mm x 460 mm)



FEATURES

Dimensional Tolerance $\pm \frac{3}{8}$ ". Dimensions needed for site preparation should be measured from the unit. Stream33 assumes no responsibility for preparatory work.

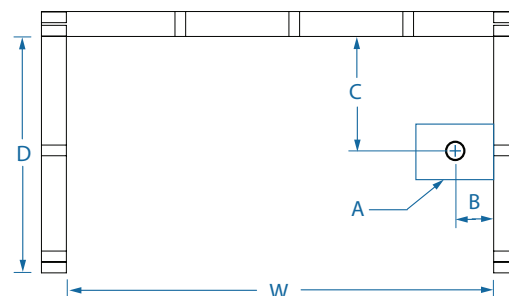
Model #	Material	Jets	Motor	Controls	Drain	Net Wt.	Pkg. Wt.
S33A2-6036CT	A ² Composite	-	-	-	Left or Right	70 lbs (31 kg)	78 lbs (35 kg)

DIMENSIONS

Specifications	
Width: Overall / Net	60 in (1525 mm)
Depth: Overall / Net	37 1/4 in (945 mm) / 36 in (915 mm)
Height: Overall / Net	19 1/2 in (495 mm) / 18 in (460 mm)
Enclosure Opening	-
Skirt Height	18 in (460 mm)
Drain Rough-In (from Back Wall)	17 3/8 in (440 mm)
Drain Rough-In (from Side Wall)	2 in (50 mm)
Drain: Diameter / Clearance	2 in (50 mm) / 1/2 in (15 mm)

FRAMING DIMENSIONS

Type	D Depth	W Width	H Height	A	B	C
Alcove	37 1/4 in (945 mm)	60 in (1525 mm)	19 1/2 in (495 mm)	Box Out	2 in (50 mm)	17 3/8 in (440 mm)



SUMP DATA

Top of Drain to Bottom of Overflow	Capacity to Overflow	Min. Operating Capacity	WIDTH @ Centerline		DEPTH @ Centerline	
			Top	Bottom	Top	Bottom
12 3/8 in (320 mm)	52 gal (197 ltr)	-	50 1/2 in (1280 mm)	42 3/8 in (1080 mm)	27 3/8 in (695 mm)	22 3/8 in (570 mm)