

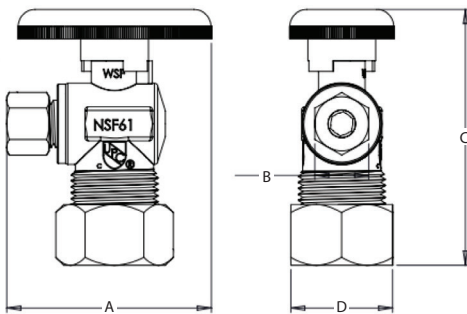


### S33-EFQTAS-7014 .3403073

INLET x OUTLET	DIMENSIONS (in)			
	A	B	C	D
5/8" OD Comp x 1/4" OD Comp	1.89	0.5	2.32	0.94

### S33-EFQTAS-7058 .3344927

INLET x OUTLET	DIMENSIONS (in)			
	A	B	C	D
5/8" OD Comp x 3/8" OD Comp	2.05	0.62	2.32	0.94



## SUBMITTAL SHEET

### PROJECT INFORMATION

Job Name:

Location:

Engineer:

Contractor:

P.O. Number:

Representative:

### MODELS

S33-EFQTAS-7014

S33-EFQTAS-7058

### DESCRIPTION

Stream33® Angle Stop Quarter-Turn Valve connects to a supply line and allows the control of water flow to a plumbing fixture. The quarter-turn handle easily and quickly turns water flow to the end fixture on and off, making it simple to perform repairs or maintenance without needing to turn the water off in the household.

### FEATURES

- Lead-free chrome-plated brass body
- Quarter-turn handle
- Angle stop valve

### OPERATING SPECIFICATIONS

- Temperature rating: 41° - 160° F
- Pressure rating: 125 PSI maximum

### APPROVALS

- cUPC
- NSF/ANSI 61
- AB1953

### MATERIAL SPECIFICATIONS

<b>Body</b>	Brass
<b>Stem</b>	Brass
<b>O-Ring</b>	Rubber
<b>Handle</b>	Zinc
<b>Screw</b>	Stainless Steel
<b>Slip Joint Washer</b>	Brass
<b>Slip Joint Nut</b>	Brass
<b>PEX Insert Material</b>	N/A