

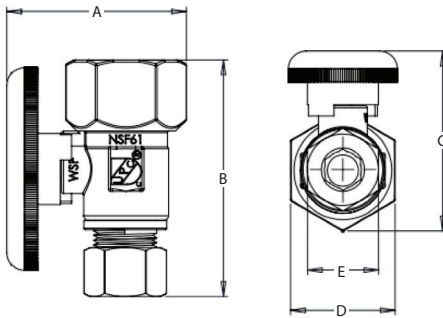


S33-EFQTSS-7012 .3390557

INLET x OUTLET	DIMENSIONS (in)				
	A	B	C	D	E
1/2" FIP x 3/8" OD Comp	1.57	2.17	1.57	0.93	0.63

S33-EFQTSS-7038 .3389313

INLET x OUTLET	DIMENSIONS (in)				
	A	B	C	D	E
3/8" FIP x 3/8" OD Comp	1.52	1.87	1.52	0.81	0.63



SUBMITTAL SHEET

PROJECT INFORMATION

Job Name: _____

Location: _____

Engineer: _____

Contractor: _____

P.O. Number: _____

Representative: _____

MODELS

S33-EFQTSS-7012

S33-EFQTSS-7038

DESCRIPTION

Stream33® Straight Stop Quarter-Turn Valve connects to a supply line and allows the control of water flow to a plumbing fixture. The quarter-turn handle easily and quickly turns water flow to the end fixture on and off, making it simple to perform repairs or maintenance without needing to turn the water off in the household.

FEATURES

- Lead-free chrome-plated brass body
- Quarter-turn handle
- Straight stop valve

OPERATING SPECIFICATIONS

- Temperature rating: 41° - 160° F
- Pressure rating: 125 PSI maximum

APPROVALS

- cUPC
- NSF/ANSI 61
- AB1953

MATERIAL SPECIFICATIONS

Body	Brass
Stem	Brass
O-Ring	Rubber
Handle	Zinc
Screw	Stainless Steel
Slip Joint Washer	Brass
Slip Joint Nut	Brass
PEX Insert Material	N/A