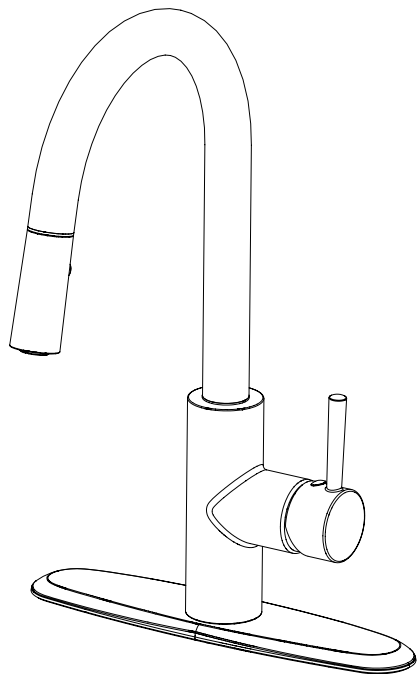


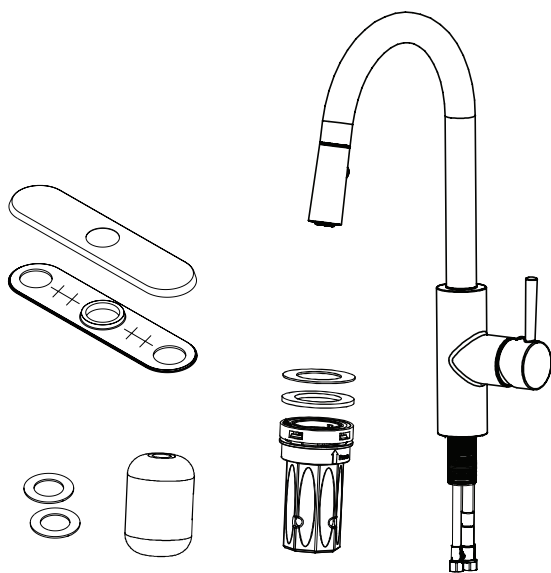
Installation Instructions



S331HKMPD15G3

BEFORE INSTALLATION

Check to make sure you have the following parts indicated below:



NECESSARY TOOLS

You will be using the following tools indicated below:



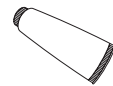
Groove Joint Plier



Adjustable Wrench



Phillips Screwdriver



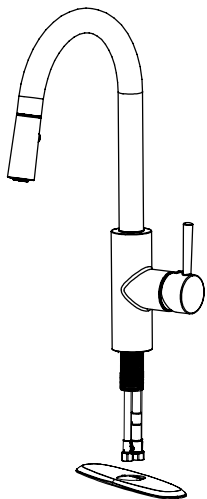
Silicone Sealant

SAFETY TIPS

- If you use soldering for the installation of the faucet, the seats, cartridges and washers will have to be removed before using flame. Otherwise, warranty will be void on these parts
- Cover your drain to avoid losing parts
- When installing flexible hose, there should be no torsion or deformation; **DO NOT** fold into V or L shape; **DO NOT** use if there are any cracks or deformations.

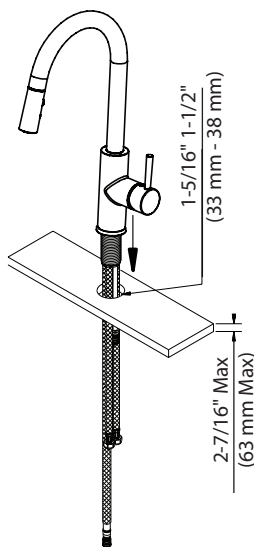
NEED HELP? For customer service and warranty information please visit stream33.com

1



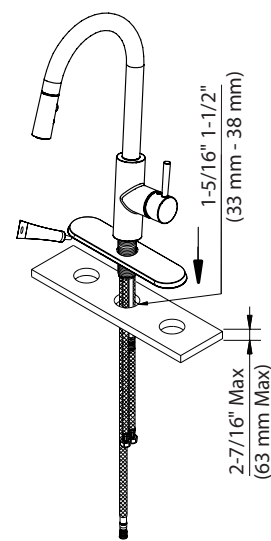
Position new faucet. Shut off main water supply before installation.

2a



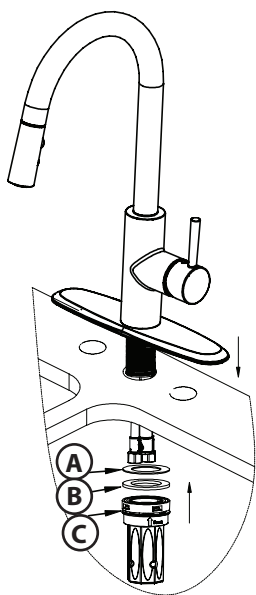
With **flange** installation.

2b



With **deck plate** installation.

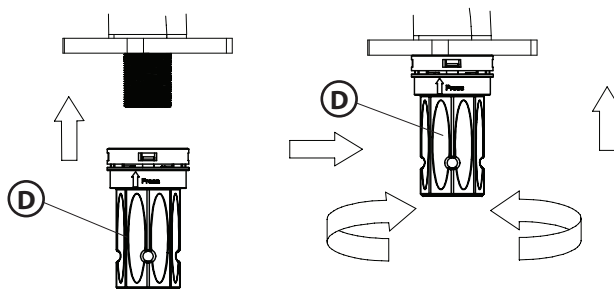
3



Secure to sink using Rubber Washer (A) and Steel Washer (B). Tighten the Lock Nut (C) by hand.

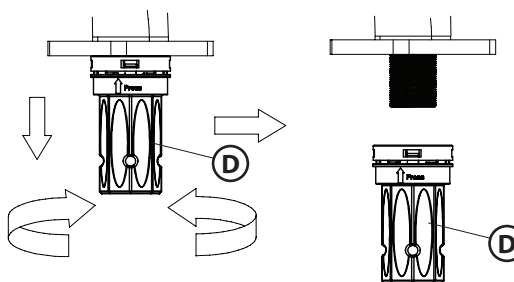
FOR QUICK NUT INSTALLATION:

**Pictures for reference only*



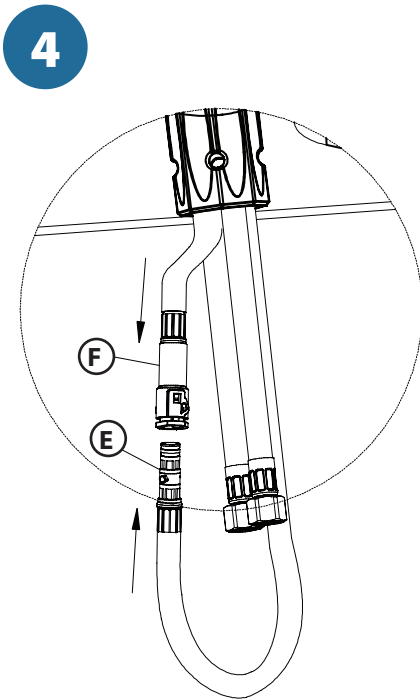
Hold the Quick Nut (D) up onto faucet body under sink. Rotate two rounds to tighten the nut.

FOR QUICK NUT DISASSEMBLY:

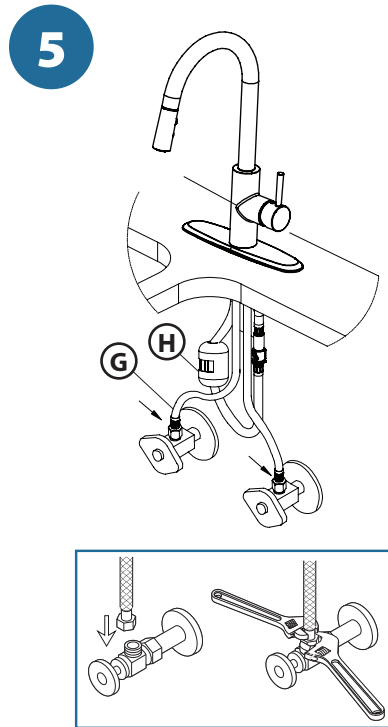


Hold the Quick Nut (D) and turn it counter clockwise for two rounds, then pull it down directly.

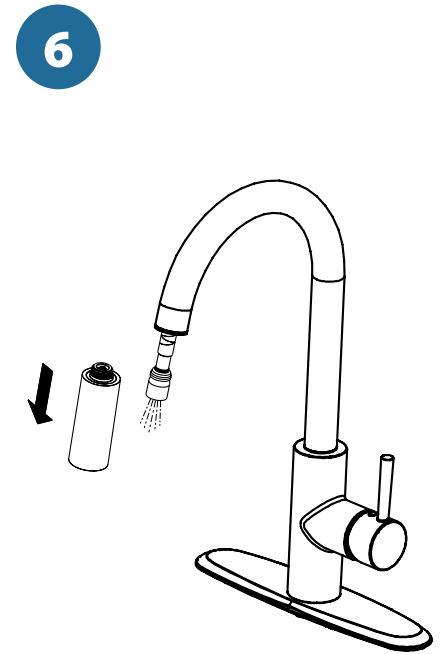
NEED HELP? For customer service and warranty information please visit stream33.com



Insert the black nozzle of the Spray Hose (E) into the quick connector with the Black Colored Clip (F). Pull down the Spray Hose (E) moderately to ensure the connection is secure.



Attach Quick Weight (H) towards the bent section of the hose for better retraction. Connect and tighten the Water Supply Line Nuts (G) by using two adjustable wrenches (avoid twisting or kinking).



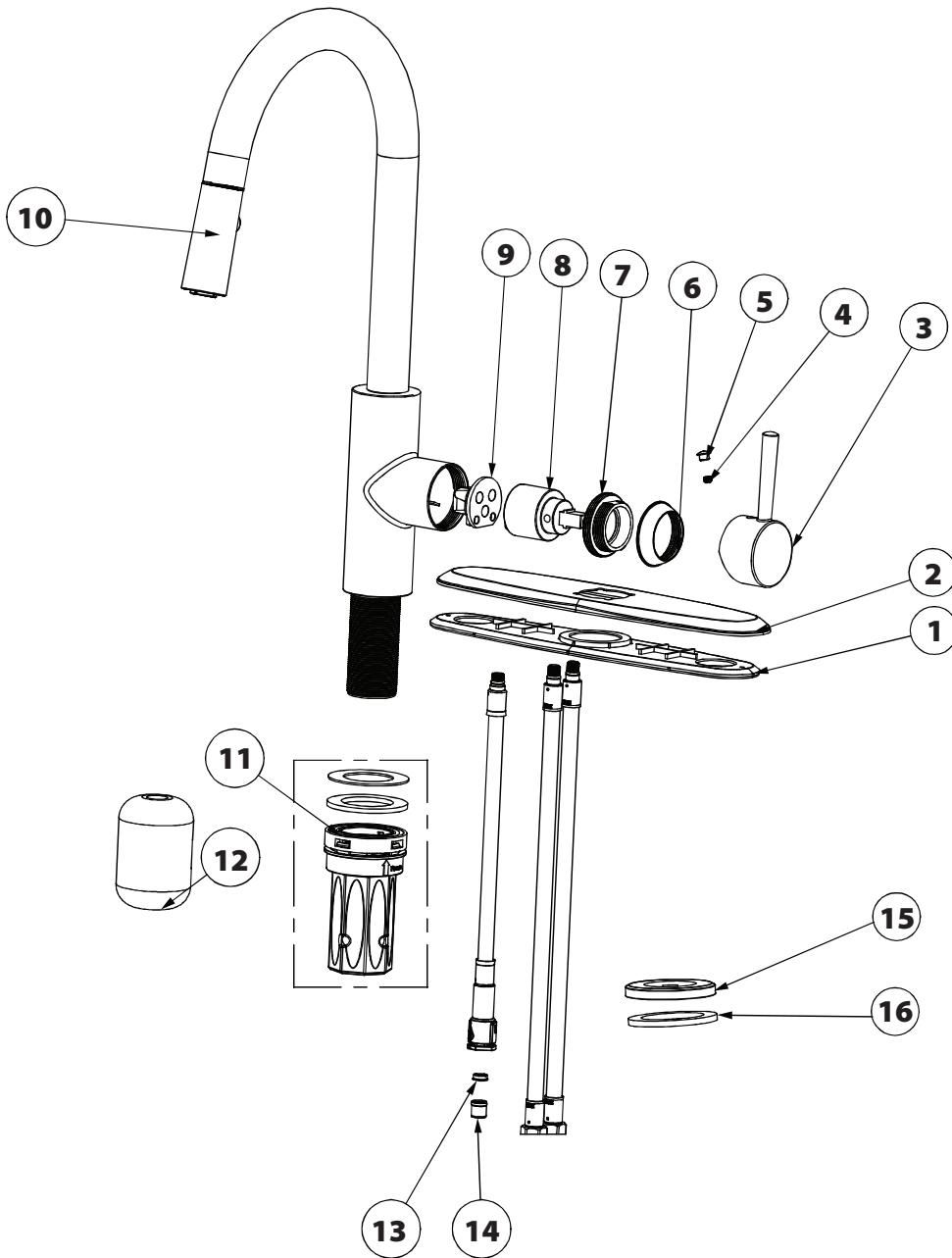
After installing faucet, remove handle spray and turn on water to remove any leftover debris. Re-assemble aerator.

TROUBLESHOOTING

If you've followed the instructions carefully and your faucet still does not work properly, take these corrective steps.

Problem	Cause	Action
Leaks underneath handle.	Locking nut has come loose. O-ring on cartridge is dirty or damaged.	Tighten the locking nut. Clean or replace O-ring.
Hose does not retract.	Weight is not installed in the appropriate position.	Reinstall weight (step 5).
There are leaks from the hose underneath the deck.	Hose and spray head connection may be loose.	Tighten the connection between the spray head and hose.

NEED HELP? For customer service and warranty information please visit stream33.com



Part #	Name
1	Insert
2	Deckplate
3	Handle
4	Screw
5	Cap
6	Button Cap
7	Nut
8	Cartridge Assembly
9	Cartridge Seat
10	Sprayer
11	Quick Mounting Accessory Kit
12	Quick Weight
13	Flow Regulator
14	Check Valve
15	Flange
16	Washer

NEED HELP? For customer service and warranty information please visit stream33.com



WARRANTY

Stream33 Products LLC (Stream33) warrants to the ORIGINAL CONSUMER PURCHASER that its Faucets shall be free from defects in material and workmanship under normal use and service FOR A LIMITED LIFETIME WARRANTY. This warranty cannot be transferred - it is extended only to the original Purchaser or First User of the Product. By accepting and keeping this Product you agree to all of the warranty terms and limitations of liability described below.

Stream33's obligations under the warranty set forth above shall be to replace any Stream33 Faucet which is defective.

WHAT IS NOT COVERED?

The warranty above does not cover and Stream33 is not liable for, (i) installation, (ii) any labor charges, (iii) use in any non-residential application, including business, commercial, and industrial usage, (iv) reasonable wear and tear or (v) products which have been damaged as a result of any accident, misuse, abuse, neglect, improper installation or maintenance, the use of steel wool, abrasive or organic solvent cleaners, modification, failure to use the Faucets in accordance with instructions provided by Stream33.

HOW TO OBTAIN WARRANTY SERVICE

Contact our warranty department at 740-314-1277 to report the defect. Return failed product with proof of purchase, your name, and address within 30 days of failure to:

Stream33 Products LLC
350 Courtney Road
Sebring, Ohio 44672 USA

LIMITATION OF LIABILITY

Stream33's liability on any claim of any kind, including, without limitation, warranty, negligence and/or breach of contract, shall in no case exceed the purchase price paid by the Customer. IN NO EVENT SHALL STREAM33 BE LIABLE FOR ANY SPECIAL, INCIDENTAL, CONSEQUENTIAL (INCLUDING, WITHOUT LIMITATION, DAMAGE TO PROPERTY) OR PUNITIVE DAMAGES, DAMAGES IN THE NATURE OF PENALTIES OR SIMILAR OR RELATED DAMAGES OF ANY KIND.

DISCLAIMER OF WARRANTIES

STREAM33 EXPRESSLY DISCLAIMS ALL WARRANTIES, EXCEPT AS EXPLICITLY STATED HEREIN, TO THE FULLEST EXTENT PERMITTED BY LAW, WHETHER WRITTEN, ORAL, EXPRESS OR IMPLIED, INCLUDING ANY WARRANTY OF PERFORMANCE, MERCHANTABILITY, FITNESS FOR A PARTICULAR PURPOSE, AND NONINFRINGEMENT. THIS DISCLAIMER INCLUDES ANY ORAL WARRANTIES OR REPRESENTATIONS MADE OR IMPLIED BY ANY AGENT, EMPLOYEE, SUBCONTRACTOR, MANAGER, DIRECTOR AND/OR REPRESENTATIVE OF STREAM33.