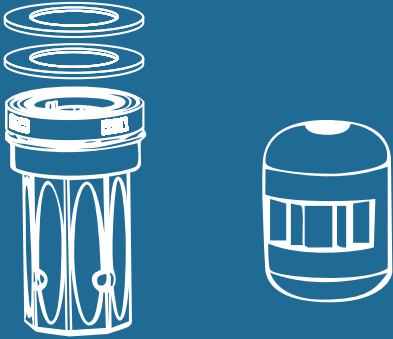


BEFORE INSTALLATION

- Shut off water supply.
- Check to make sure you have the following parts indicated below:



NECESSARY TOOLS



Groove
Joint Plier

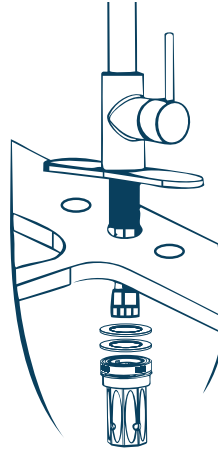


Adjustable
Wrench

SAFETY TIPS

- If you use soldering for the installation of the faucet, the seats, cartridges and washers will have to be removed before using flame. Otherwise, warranty will be void on these parts.
- Cover your drain to avoid losing parts.
- When installing flexible hose, there should be no torsion or deformation;
 - **DO NOT** fold into V or L shape;
 - **DO NOT** use if there are any cracks or deformations.

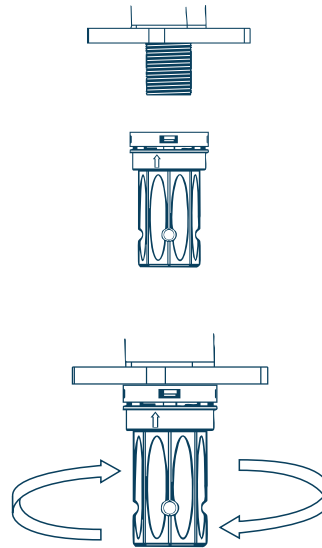
1



A. Set new faucet into place over escutcheon, push faucet as far back on sink as possible.

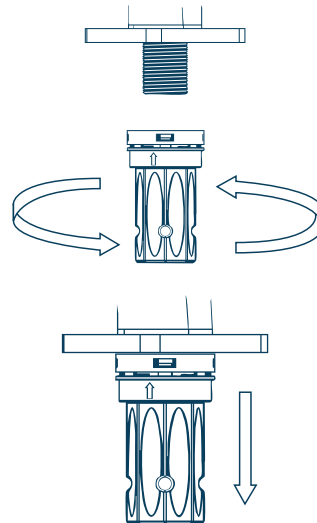
B. Secure to sink by rubber washer, steel washer and tighten the quick nut with hand.

2



Push the quick nut onto faucet body under sink and turn it clockwise until snug and seated evenly against the sink or countertop.

3



Hold the quick nut and turn counterclockwise until loose, then pull it down directly.