

**Product:** Stream33 Toilets  
**Date:** 10 September 2025

The purpose of this bulletin is to define the required hardware necessary for proper installation of Stream33 tank to bowl combos.

### Supplied Hardware

Per the Stream33 installation instructions (Step 7, shown below), the only hardware required to install the toilet tank to the bowl is as follows:

- Two (2) tank bolts
- Two (2) tapered gaskets
- Two (2) flat metal washers
- Two (2) nuts
- One (1) tank to bowl gasket

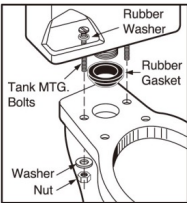


### 7 Install Tank

**a.** Install large rubber gasket over threaded outlet on bottom of tank and lower tank onto bowl so that tapered end of gasket fits evenly into bowl water inlet opening.

**b.** Insert tank mounting bolts and rubber washers from inside tank, through mounting holes, and secure with metal washers and nuts.

**c.** With tank parallel to wall, alternately tighten nuts until tank is snugged down evenly against bowl surface.



**CAUTION:**  
DO NOT OVERTIGHTEN NUTS MORE THAN REQUIRED FOR A SNUG FIT!

Some Stream33 toilet tanks may also include an additional hardware pack, typically including:

- Two (2) flat rubber washers
- Two (2) flat metal washers
- Two (2) nuts



This additional hardware is not required for installation and should be discarded.

### Installation Instructions

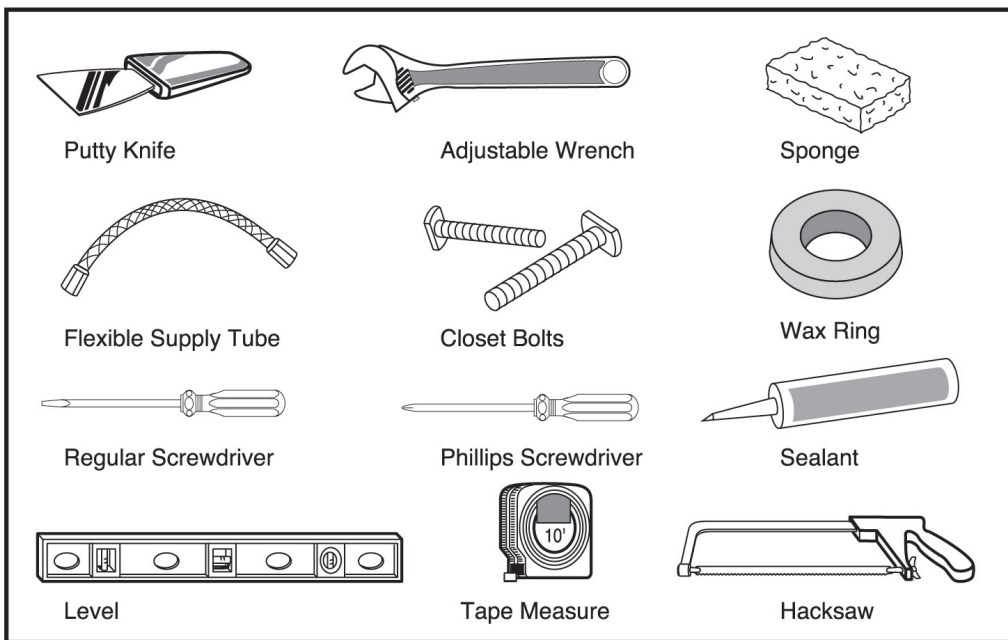
Some Stream33 toilet tanks may also be packaged with alternate installation instructions. These are not the official Stream33 Installation Instructions and should be disregarded. For proper installation, always follow the official Stream33 Installation Instructions, listed on the next page.


*The information contained herein is believed to be reliable, but no representations, guarantees or warranties of any kind are made as to its accuracy, suitability for particular applications or the results to be obtained therefrom. Before using, the user will determine suitability of the information for user's intended use and shall assume all risk and liability in connection therewith.*

### TOILET INSTALLATION INSTRUCTIONS

Thank you for selecting our products. To help ensure that the installation process will proceed smoothly, please read these instructions carefully before you begin. Also, review the recommended tools and materials list; carefully unpack and examine your new plumbing fixture.

### RECOMMENDED TOOLS & MATERIALS



 **CAUTION: Risk of personal injury.** Handle with care. Product can break, chip, or cause injury if handled carelessly. Get help lifting the lavatory.

**NOTICE: Risk of product damage.** Do not overtighten connections. Overtightening may break or chip the toilet.

*The information contained herein is believed to be reliable, but no representations, guarantees or warranties of any kind are made as to its accuracy, suitability for particular applications or the results to be obtained therefrom. Before using, the user will determine suitability of the information for user's intended use and shall assume all risk and liability in connection therewith.*

### INSTALLATION INSTRUCTIONS

#### 1 Remove Old Toilet

- Close toilet supply valve and flush tank completely. Towel or sponge remaining water from tank and bowl.
- Disconnect and remove supply line.

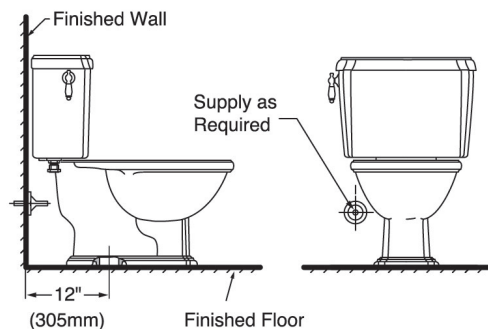
**NOTE: If replacing valve, first shut off main water supply!**

- Remove old mounting hardware, remove toilet and plug floor waste opening to prevent escaping sewer gases.
- Remove closet bolts from flange and clean away old wax, putty, etc. from base area.

**NOTE: Mounting surface must be clean and level before new toilet is installed!**

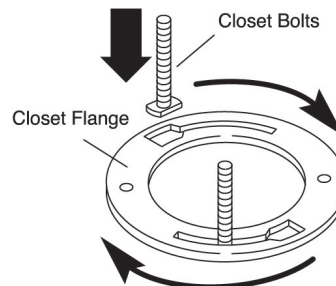
#### 2 Roughing-In Dimensions

NOTE: Distance from wall to closet flange centerline must be as below:



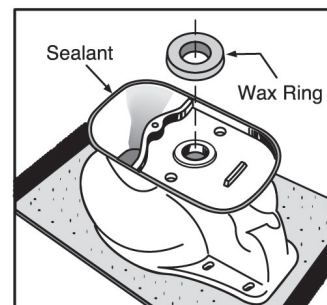
#### 3 Install Closet Bolts

Install closet bolts in flange channel and slide into place parallel to wall.



#### 4 Install Wax Seal

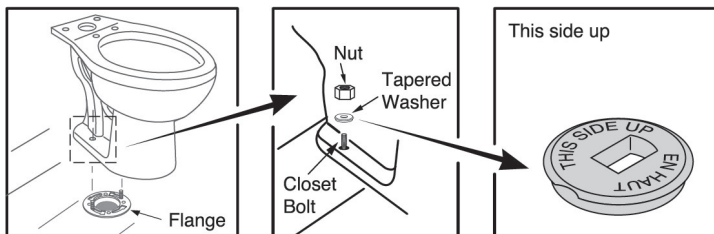
Invert toilet on floor (cushion to prevent damage), and install wax ring evenly around waste flange (horn), with tapered end of ring facing toilet. Apply a thin bead of sealant around toilet base.



The information contained herein is believed to be reliable, but no representations, guarantees or warranties of any kind are made as to its accuracy, suitability for particular applications or the results to be obtained therefrom. Before using, the user will determine suitability of the information for user's intended use and shall assume all risk and liability in connection therewith.

### 5 Position Toilet on Flange

- a. Unplug floor waste opening and install toilet on closet flange so bolts project through mounting holes.
- b. Loosely install retainer washers and nuts. Side of washers marked "THIS SIDE UP" must face up!

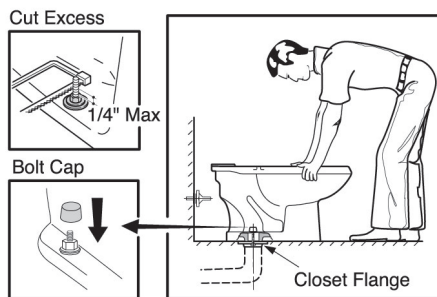


### 6 Install Toilet

- a. Position toilet squarely to wall and, with a rocking motion, press bowl down fully on wax ring and flange. Alternately tighten nuts until toilet is firmly seated on floor.



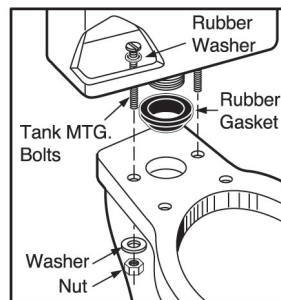
**CAUTION:**  
DO NOT OVERTIGHTEN NUTS  
OR BASE MAY BE DAMAGED!



- b. Install caps on washers.  
(If necessary, cut bolt height to size before installing caps.)
- c. Smooth off the bead of sealant around base. Remove excess sealant.

### 7 Install Tank

- a. Install large rubber gasket over threaded outlet on bottom of tank and lower tank onto bowl so that tapered end of gasket fits evenly into bowl water inlet opening.
- b. Insert tank mounting bolts and rubber washers from inside tank, through mounting holes, and secure with metal washers and nuts.
- c. With tank parallel to wall, alternately tighten nuts until tank is snugged down evenly against bowl surface.



**CAUTION:**  
DO NOT OVERTIGHTEN NUTS MORE THAN REQUIRED FOR A SNUG FIT!

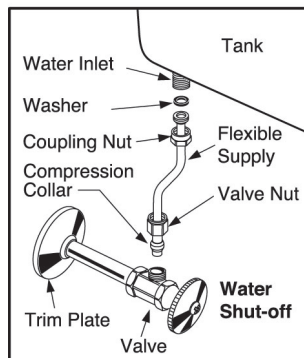
### 8 Install Toilet Seat

Install toilet seat in accordance with manufacturer's directions.

### 9 Connect Water Supply

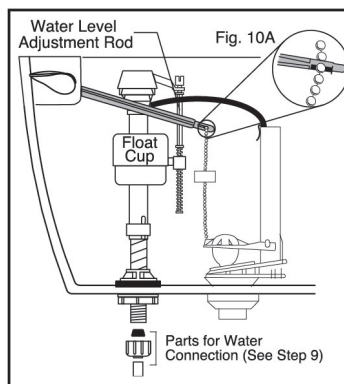
- Connect water supply line between shutoff valve and tank water inlet fitting. Tighten coupling nut 1/4 turn beyond hand tight. Check that refill tube is inserted into overflow tube.
- Turn on supply valve and allow tank to fill until float rises to shutoff position.
- Check for leakage at fittings, tighten or correct as needed.

**CAUTION:** Do not use plumber's putty, pipe dope, or any other sealant on the water supply connection to this tank. If the connection leaks after hand tightening, replace the supply line.



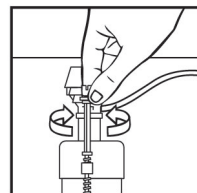
### 10 Adjustments

- Adjust water level. Water level should be adjusted to level indicated on tank by adjusting float cup. See **step 11** for water level adjustment method.
- If bowl fails to siphon, an adjustment may be required with the lift chain. Simply remove the bead chain from the retainment clip (see **Fig.10A**) and take up slack on the chain, and reinsert on lift rod. Make sure the chain is not too taught.



### 11 Adjust Water Level

Turn on water supply. Submerge the **Float Cup** under the water for 30 seconds. Adjust the water to desired level by turning **Water Level Adjustment Rod** and moving **Float Cup** up or down.



When cleaning your toilet, wash it with mild, soapy water, rinse thoroughly with clear water and dry with a soft, dampened sponge or cloth. Avoid detergents, disinfectants, or cleaning products in aerosol cans. **NEVER** use abrasive scouring powders or abrasive pads on your toilet.