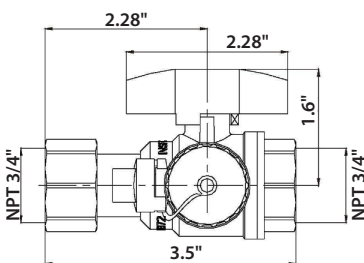


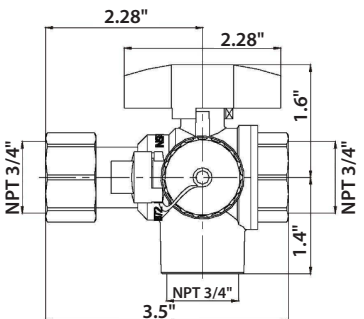


Model	ID
S33-TWV34FNPT-PRV	.3582516

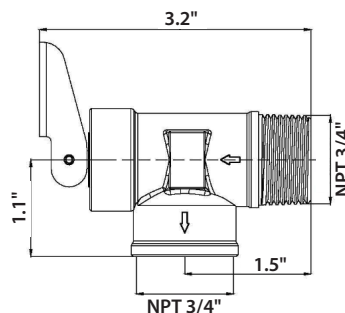
Operating Specifications	
Maximum Inlet Pressure	200 PSI
Maximum Temperature	200° F (93° C)
Maximum Performance Rating	630,000 BTU
Relief Pressure	150 PSI
Appliance Connection	3/4" FNPT Union
System Connection	3/4" FNPT



Cold Water Valve



Hot Water Valve



Pressure Relief Valve

FEATURES

- Kit includes 150 PSI pressure relief valve, cold water inlet valve & hot water outlet valve
- Compact design works in a variety of situations and tight spaces
- Lead-free brass construction with metal 1/4 turn handles
- Allows for rapid system diagnostic testing and maintenance
- Colored handles for easy identification of hot & cold valves

- Application


- Cold and hot water valves connect directly to the cold water inlet and the hot water outlet of the tankless water heater
- Pressure relief valve threads directly onto the 3/4" port on the side of the hot water valve
- Use for appliance maintenance and emergency shut-off
- Meets or exceeds the following:
 - cUPC
 - NSF/ANSI 61 & 372
 - ASME approved PRV



WARRANTY

1-Year warranty. Visit stream33.com for details.

REPLACEMENT PARTS

Model	Description	ID
 S33-TWV-RSG	Replacement seal gasket for hot and cold valves union connection (sold as pair)	.3582582

