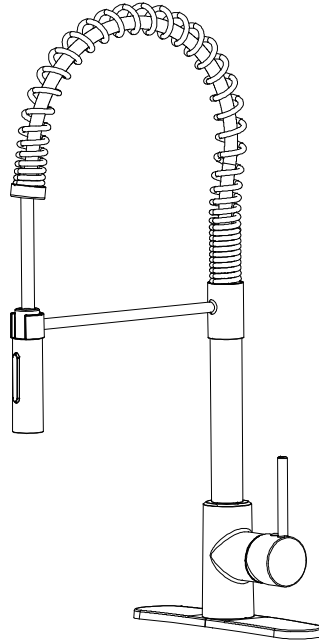


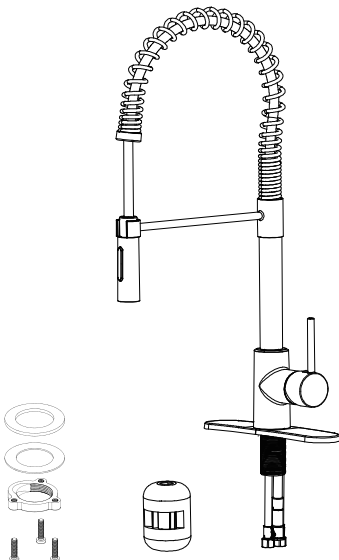
## Installation Instructions



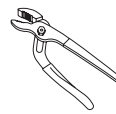
S331HKSLPD18

### BEFORE INSTALLATION

Shut off water supply.  
Check to make sure you have the following parts indicated below:



### NECESSARY TOOLS



Groove Joint  
Plier

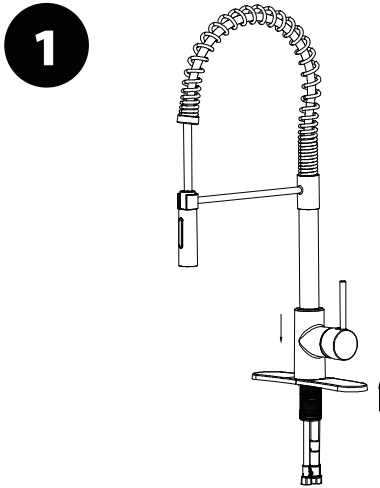


Adjustable  
Wrench

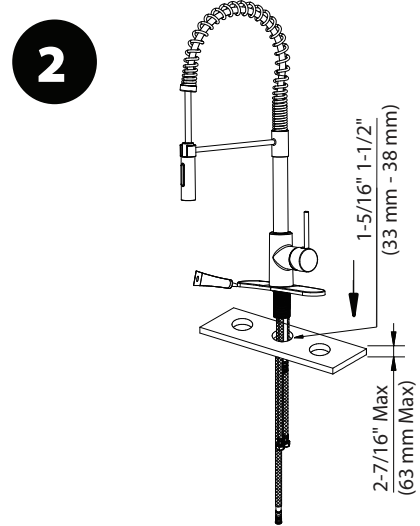
### SAFETY TIPS

- If you use soldering for the installation of the faucet, the seats, cartridges and washers will have to be removed before using flame. Otherwise, warranty will be void on these parts
- Cover your drain to avoid losing parts
- When installing flexible hose, there should be no torsion or deformation; **DO NOT** fold into V or L shape; **DO NOT** use if there are any cracks or deformations.

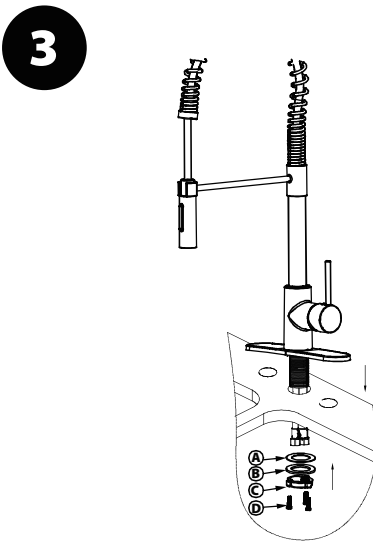
**NEED HELP?** For customer service and warranty information please visit [stream33.com](http://stream33.com)



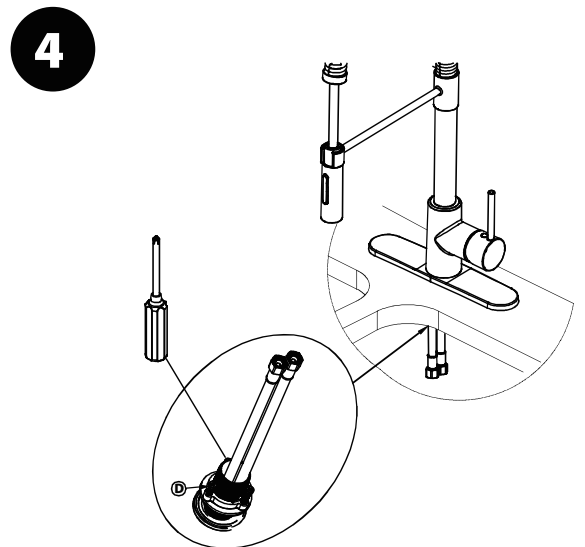
1  
Install the escutcheon and the base plate on the lavatory if necessary.



2  
With deck plate installation.



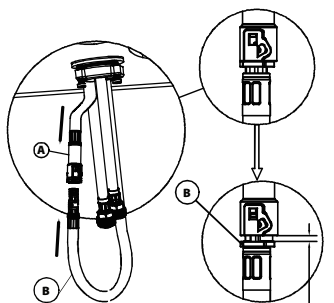
3  
Secure to sink using Rubber Washer (A) and Steel Washer (B). Tighten the Lock Nut (C) by hand and secure with Screws (D).



4  
Use screwdriver to tighten Screws (D) on Lock Nut.

**NEED HELP?** For customer service and warranty information please visit [stream33.com](http://stream33.com)

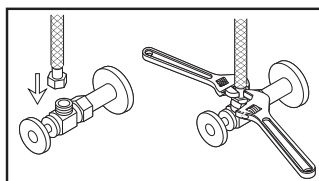
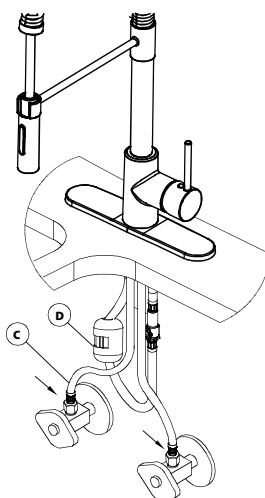
**5**



There should be a gap here

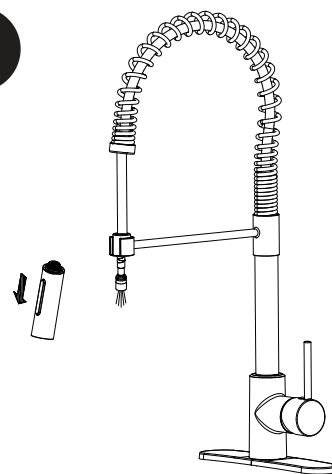
Insert the black nozzle of the Spray Hose (B) into the quick connector with the Black Colored Clip (A). Pull down the Spray Hose (B) moderately to ensure the connection is secure.

**6**



Attach Quick Weight (D) towards the bent section of the hose for better retraction. Connect and tighten the Water Supply Line Nuts (C) by using two adjustable wrenches (avoid twisting or kinking).

**7**



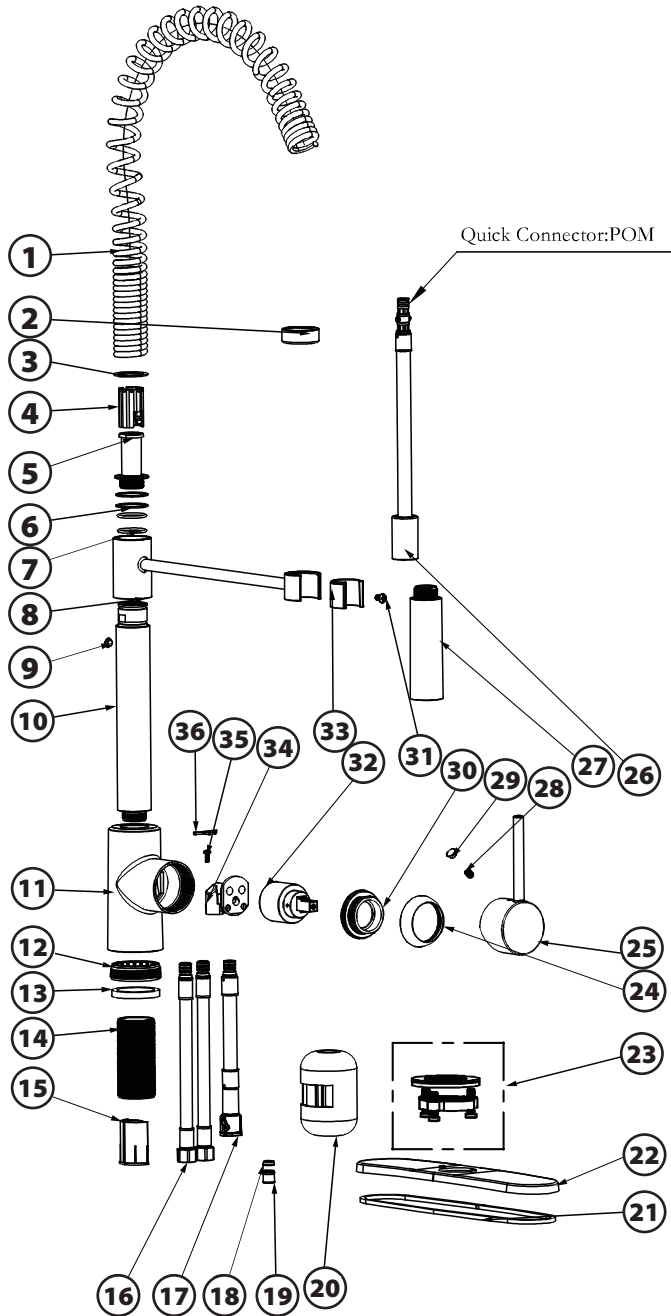
After installing faucet, remove handle spray and turn on water to remove any leftover debris. Re-assemble aerator.

## TROUBLESHOOTING

If you've followed the instructions carefully and your faucet still does not work properly, take these corrective steps.

Problem	Cause	Action
Leaks underneath handle.	Locking nut has come loose. O-ring on cartridge is dirty or damaged.	Tighten the locking nut. Clean or replace O-ring.
Hose does not retract.	Weight is not installed in the appropriate position.	Reinstall weight (step 5).
There are leaks from the hose underneath the deck.	Hose and spray head connection may be loose.	Tighten the connection between the spray head and hose.

**NEED HELP?** For customer service and warranty information please visit [stream33.com](http://stream33.com)



Part #	Replacement Part	Name
1	999910041103	Spring
2	121010211041	Decorative Cover
3	121010211004	Washer
4	121010281004	Gasket
5	121010211008	Gasket
6	121110131011	Washer
7	R22X2X01	O-ring
8	121011431006	Support
9	111510091037	Cap
10	121010211050	Connecting Pipe
11	121010221055	Body
12	121010211001	Nut
13	121010281001	Washer
14	121010481014	Shank
15	121010481009	Pipe Sleeve
16	999910060424	Inlet Hose Assembly
17	999910061139	Outlet Hose Assembly
18	121010481019	Flow Regulator
19	N10X10_5X01	Check Valve
20	121010511067	Quick Weight
21	121010481016	Base Plate
22	121010221029	Escutcheon
23	121010221021	Standard Mount Accessory Kit
24	999910101852	Decorative Cover
25	121011431011	Handle
26	999910060841	Pull-down Hose Assembly
27	121010511076	Sprayer
28	C5X8X03M	Screw
29	999910101773	Button Cap
30	121011811004	Nut
31	C4X7X01M	Screw
32	F35X55_6X04	Cartridge Assembly
33	121011431010	Snap Ring
34	121011811000	Cartridge Seat
35	C3_3X8X01ST	Screw
36	121011811002	Snap Ring

**NEED HELP?** For customer service and warranty information please visit [stream33.com](http://stream33.com)



## **WARRANTY**

Stream33 Products LLC (Stream33) warrants to the ORIGINAL CONSUMER PURCHASER that its Faucets shall be free from defects in material and workmanship under normal use and service FOR A LIMITED LIFETIME WARRANTY. This warranty cannot be transferred - it is extended only to the original Purchaser or First User of the Product. By accepting and keeping this Product you agree to all of the warranty terms and limitations of liability described below.

Stream33's obligations under the warranty set forth above shall be to replace any Stream33 Faucet which is defective.

## **WHAT IS NOT COVERED?**

The warranty above does not cover and Stream33 is not liable for, (i) installation, (ii) any labor charges, (iii) use in any non-residential application, including business, commercial, and industrial usage, (iv) reasonable wear and tear or (v) products which have been damaged as a result of any accident, misuse, abuse, neglect, improper installation or maintenance, the use of steel wool, abrasive or organic solvent cleaners, modification, failure to use the Faucets in accordance with instructions provided by Stream33.

## **HOW TO OBTAIN WARRANTY SERVICE**

Contact our warranty department at 740-314-1277 to report the defect. Return failed product with proof of purchase, your name, and address within 30 days of failure to:

Stream33 Products LLC  
350 Courtney Road  
Sebring, Ohio 44672 USA

## **LIMITATION OF LIABILITY**

Stream33's liability on any claim of any kind, including, without limitation, warranty, negligence and/or breach of contract, shall in no case exceed the purchase price paid by the Customer. IN NO EVENT SHALL STREAM33 BE LIABLE FOR ANY SPECIAL, INCIDENTAL, CONSEQUENTIAL (INCLUDING, WITHOUT LIMITATION, DAMAGE TO PROPERTY) OR PUNITIVE DAMAGES, DAMAGES IN THE NATURE OF PENALTIES OR SIMILAR OR RELATED DAMAGES OF ANY KIND.

## **DISCLAIMER OF WARRANTIES**

STREAM33 EXPRESSLY DISCLAIMS ALL WARRANTIES, EXCEPT AS EXPLICITLY STATED HEREIN, TO THE FULLEST EXTENT PERMITTED BY LAW, WHETHER WRITTEN, ORAL, EXPRESS OR IMPLIED, INCLUDING ANY WARRANTY OF PERFORMANCE, MERCHANTABILITY, FITNESS FOR A PARTICULAR PURPOSE, AND NONINFRINGEMENT. THIS DISCLAIMER INCLUDES ANY ORAL WARRANTIES OR REPRESENTATIONS MADE OR IMPLIED BY ANY AGENT, EMPLOYEE, SUBCONTRACTOR, MANAGER, DIRECTOR AND/OR REPRESENTATIVE OF STREAM33.