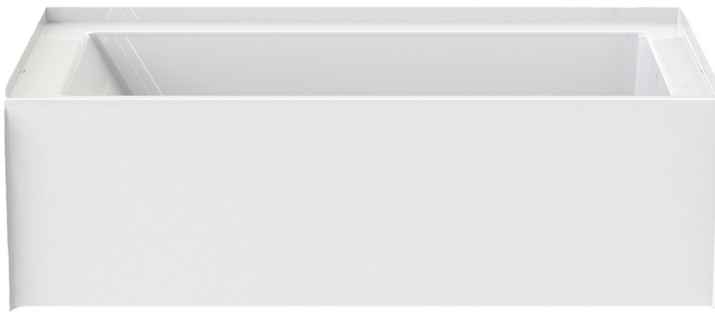


S33A2-6032CTMIN

60" x 32" x 18" (1524mm x 813mm x 457mm)



FEATURES

- Durable smooth finish
- Pre-levleled base
- Left, right drain
- Slip-resistant, textured bottom
- Available in White
- 15-Year residential limited warranty
- Meets or exceeds the following:
 - CSA B45.5/IAPMO Z124



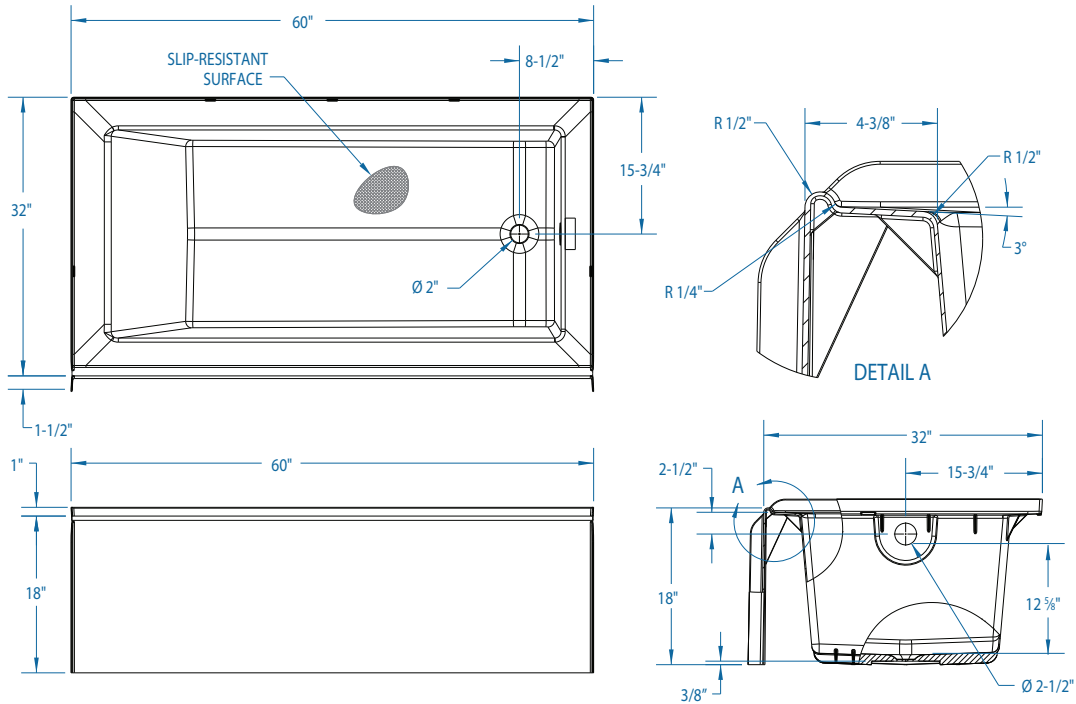
What is A² Composite?

Lightweight and durable, our A² Composite is an engineered compound of resin, glass and special fillers formed into sheets. These sheets are then placed under high pressure and heat to liquefy the compound, allowing it to flow and take the shape of almost any form imaginable. The results are simple, stylish and a snap to install.



S33A2-6032CTMIN

60" x 32" x 18" (1524mm x 813mm x 457mm)



FEATURES Dimensional Tolerance $\pm 3/8"$. Dimensions needed for site preparation should be measured from the unit. Stream33 assumes no responsibility for preparatory work.

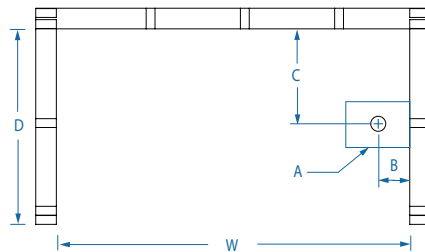
Model	Material	Jets	Motor	Controls	Drain	Net Wt.	Pkg. Wt.
S33A2-6032CTMIN	A ² Composite	—	—	—	Left or Right	57 lbs (26 kg)	65 lbs (30 kg)

DIMENSIONS

Specifications	
Width: Overall / Net	60" (1524mm)
Depth: Overall / Net	33-1/2" (851mm) / 32" (813mm)
Height: Overall / Net	19" (483mm) / 18" (457mm)
Enclosure Opening	—
Skirt Height	18" (457mm)
Drain Rough-In (from back wall)	15-3/4" (400mm)
Drain Rough-In (from side wall)	2-3/4" (70mm)
Drain: Diameter / Clearance	2" (51mm) / 1/2" (13mm)

FRAMING DIMENSIONS

Type	Depth (D)	Width (W)	Height (H)	A	B	C
Alcove	33-1/2" (851mm)	60" (1524mm)	19" (483mm)	Box Out	2-3/4" (70mm)	15-3/4" (400mm)



SUMP DATA

Top of Drain to Bottom of Overflow	Capacity to Overflow	Min. Operating Capacity	Width at Centerline		Depth at Centerline	
			Top	Bottom	Top	Bottom
12-5/8" (321mm)	52-3/10 gal (198 L)	—	51-5/8" (1312mm)	42-1/8" (1070mm)	23-7/8" (607mm)	21-3/8" (543mm)