



STAINLESS STEEL SINK CARE AND CLEANING INSTRUCTIONS

ATTENTION: Warranty will be voided if the proper care and cleaning instructions are not followed.

- DO NOT use abrasive cleaning materials such as steel wool that may scratch the surface.
- DO NOT use a sharp object such as a knife directly or indirectly on the sink.
- DO NOT leave corrosive or rust-prone materials such as metal utensils or cookware for long periods of time in the sink. It could cause rust to collect on the sink's surface.
- DO NOT use industrial grade or acid-based cleaning solutions that can damage the sink's surface or finish.
- Clean the sink daily using mild soap and warm water with a non-abrasive cloth or sponge, working with, not across, the grain. Wipe the sink dry after every use.
- Use a mixture of vinegar and water if you find mineral deposits on the sink. Rinse the sink thoroughly if vinegar or other cleaning solutions are used.
- Stubborn stains and rusts might be removed by Autosol Rust Remover or Bar Keepers Friend MORE Spray & Foam Cleaner with non-scratch cleaning pads or soft cloths.

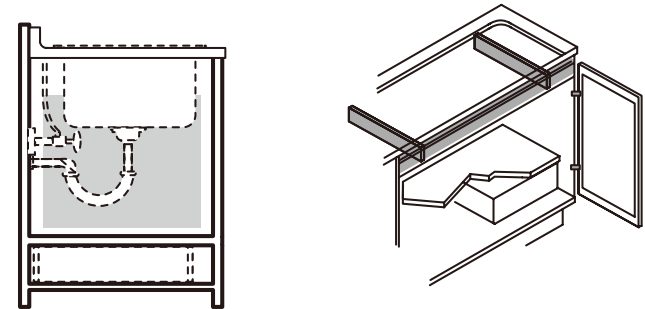
WARNING: Some cleaning products are not suitable for use. Read all labels carefully.

DO NOT USE if cleaning product says "not suitable for use with Stainless Steel."

stream33[®]

Pre-Installation

Before installation, verify the cabinet clearance:



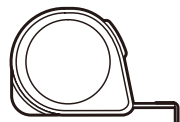
Check the surface for any flaws or damage, including dents, bends, sumps, or scuff marks. If any damage is noticed or parts are missing, do not proceed with the installation.



NOTICE: This sink is a **drop-in** (drops down through the counter) installation.

stream33.com

Tools Required



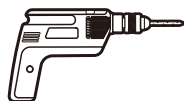
Measuring tape



Safety goggles



Saber saw or jig saw



Electric drill



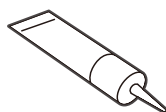
Phillips screwdriver



Wrenches



Pencil



Silicone sealant



Hacksaw

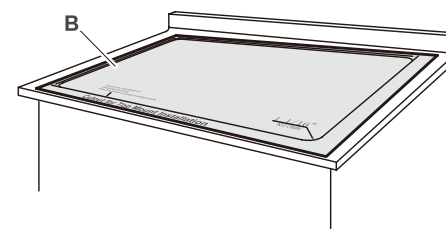


Flathead screwdriver

Installation

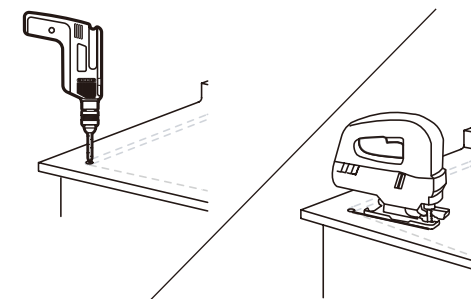
1 Preparing the counter top

- Center the template (B) on the counter so that it is parallel to the counter edge and that the installation hole will not interfere with the structure of the cabinet.
- Tape the template (B) to the counter top to keep it in place, and trace the cutout line on the template (B) with a pencil.



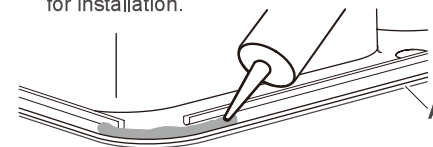
2 Cutting the installation hole

- Drill a pilot hole in all four corners and cut the counter top opening. Use the appropriate cutting tool for the surface you are cutting. You may want to use a hole saw for the pilot hole.
- NOTE: Be careful to support the cut-out so it does not fall into hole or damage the counter top when you finish cutting.



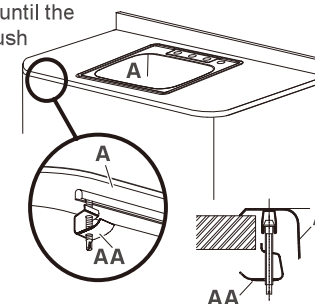
3 Preparing the sink

- Place the sink (A) into the installation hole to verify the fit. Adjust the cutout if necessary.
- Place the sink (A) upside down and apply a strip of silicone sealant (not included) between the channel and rim or apply waterproofing strip (not included) between the rim and the channel.
- Installer can save time by installing the faucet now prior to installing the sink. Follow faucet manufacturer instructions for installation.



4 Installing the sink

- Carefully lower the sink (A) into the counter.
- Assemble the screw to the mounting clip and insert in to the channels evenly around the sink.
- Tighten the screws on the top mount clips (AA) evenly until the sink (A) is flush with the counter. Do not over-tighten.
- Wipe excess sealant with a rag.





WARRANTY

Stream33 Products LLC (Stream33) warrants to the ORIGINAL CONSUMER PURCHASER that its Stainless Steel Sinks shall be free from defects in material and workmanship under normal use FOR TEN (10) YEARS. This warranty cannot be transferred - it is extended only to the original Purchaser or First User of the Product. By accepting and keeping this Product you agree to all of the warranty terms and limitations of liability described below.

Stream33's obligations under the warranty set forth above shall be to replace any Stream33 Stainless Steel Sink which is defective.

WHAT IS NOT COVERED?

The warranty above does not cover and Stream33 is not liable for, (i) installation, (ii) any labor charges or (iii) products which have been damaged as a result of any accident, misuse, abuse, neglect, improper installation or maintenance, the use of abrasive or organic solvent cleaners, modification, failure to use the Stainless Steel Sink in accordance with instructions provided by Stream33.

HOW TO OBTAIN WARRANTY SERVICE

Contact our warranty department at 740-314-1277 to report the defect. Return failed product with proof of purchase, your name, and address within 30 days of failure to:

Stream33 Products LLC
350 Courtney Road
Sebring, Ohio 44672 USA

LIMITATION OF LIABILITY

Stream33's liability on any claim of any kind, including, without limitation, warranty, negligence and/or breach of contract, shall in no case exceed the purchase price paid by the Customer. IN NO EVENT SHALL STREAM33 BE LIABLE FOR ANY SPECIAL, INCIDENTAL, CONSEQUENTIAL (INCLUDING, WITHOUT LIMITATION, DAMAGE TO PROPERTY) OR PUNITIVE DAMAGES, DAMAGES IN THE NATURE OF PENALTIES OR SIMILAR OR RELATED DAMAGES OF ANY KIND.

DISCLAIMER OF WARRANTIES

STREAM33 EXPRESSLY DISCLAIMS ALL WARRANTIES, EXCEPT AS EXPLICITLY STATED HEREIN, TO THE FULLEST EXTENT PERMITTED BY LAW, WHETHER WRITTEN, ORAL, EXPRESS OR IMPLIED, INCLUDING ANY WARRANTY OF PERFORMANCE, MERCHANTABILITY, FITNESS FOR A PARTICULAR PURPOSE, AND NONINFRINGEMENT. THIS DISCLAIMER INCLUDES ANY ORAL WARRANTIES OR REPRESENTATIONS MADE OR IMPLIED BY ANY AGENT, EMPLOYEE, SUBCONTRACTOR, MANAGER, DIRECTOR AND/OR REPRESENTATIVE OF STREAM33.

stream33.com