



FEATURES

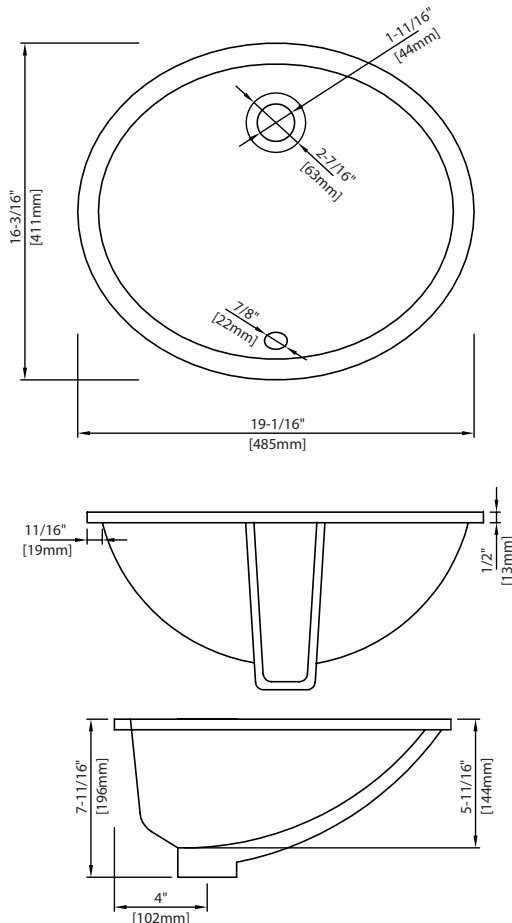
- Vitreous china
- Non-porous surface prevents moisture absorption and bacterial buildup
- Undermount installation
- Overflow drain
- 15 lbs
- Countertop cutout template included¹
- Meets or exceeds the following:
 - cUPC listed
 - ASME A112.19.2-2018/CSA B45.1-18
 - ADA Compliant Design*



AVAILABLE FINISHES

- Gloss White

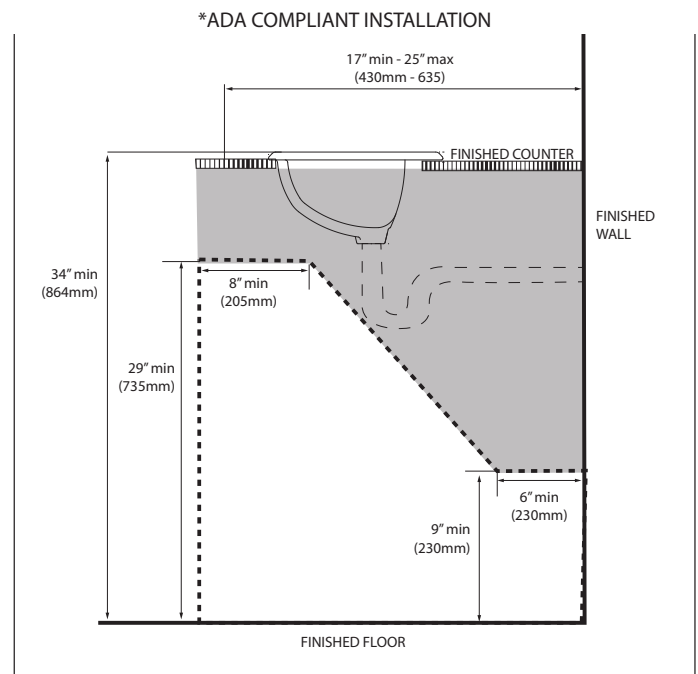
Model	ID	Nominal Size
S33MOUL1917	.3544964	19" x 17"



Note: Installers should always use the template that is provided with each sink when making cuts in a countertop. The dimensions provided in the Installation Manual/Spec Sheet are a general reference for the product size. They should not be used to make cuts in countertops for sink installation. Typical production variance can cause slight differences in the dimensions of finished pieces. Therefore, each countertop cutout should be inspected & tested with the sink that is to be installed, before further countertop cuts are made. Please contact an associate if you did not receive or cannot find the cutout template for your sink.

WARRANTY

5-Year warranty. Visit stream33.com for details.



*Product is ADA Compliant when installed on a vanity meeting the leg and foot clearance requirements illustrated in the ADA Compliant Installation diagram above.