



## PEDESTAL LAVATORY INSTALLATION INSTRUCTIONS

Thank you for selecting our products. To help ensure that the installation process will proceed smoothly, please read these instructions carefully before you begin. Also, review the recommended tools and materials list; carefully unpack and examine your new plumbing fixture.

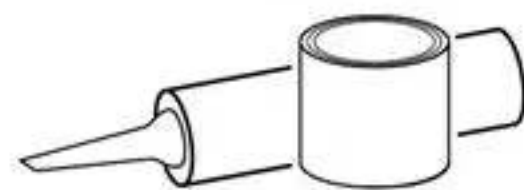
### RECOMMENDED TOOLS & MATERIALS



Putty Knife



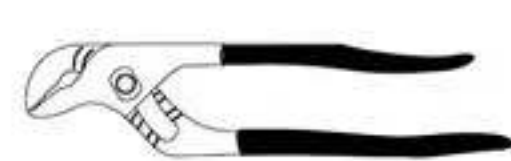
Adjustable Wrench



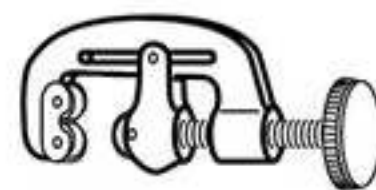
Plumbers' Putty  
or Caulking



Pipe Wrench



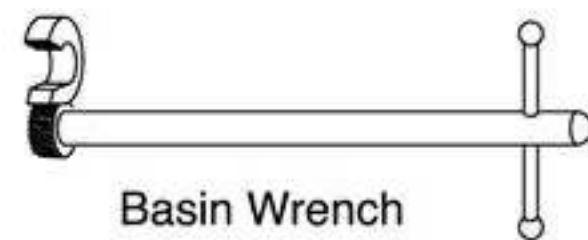
Channel Locks



Tubing Cutter



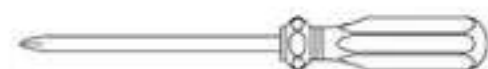
Drill



Basin Wrench



Saber Saw



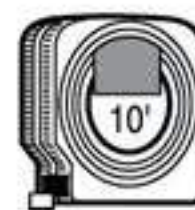
Phillips Screwdriver



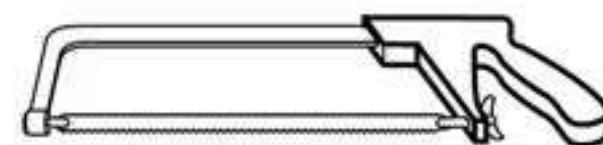
Regular Screwdriver



Level



Tape Measure



Hacksaw



**CAUTION: Risk of personal injury.** Handle with care. Product can break, chip, or cause injury if handled carelessly. Get help lifting the lavatory.

**NOTICE: Risk of product damage.** Do not overtighten connections. Overtightening may break or chip the lavatory.

**IMPORTANT!** This lavatory basin must be supported by a pedestal. Do not install the lavatory basin as a wall-mount, undermount, or self-rimming lavatory.

### INSTALLATION INSTRUCTIONS

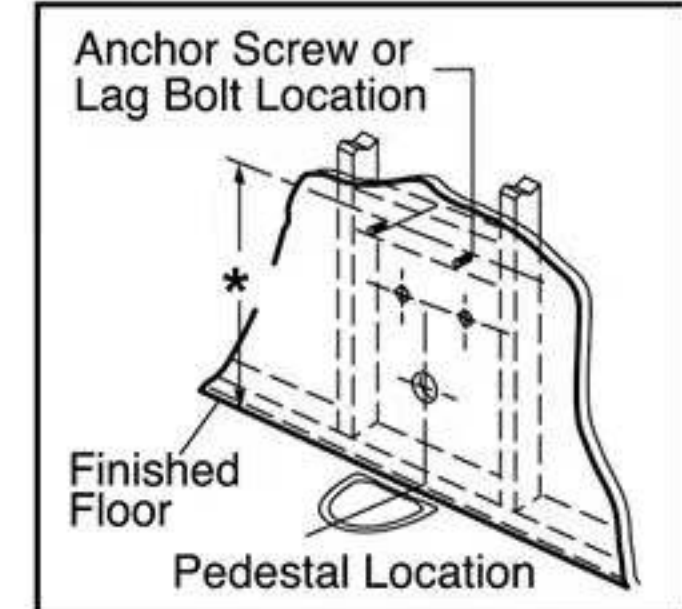
1

Provide suitable reinforcement behind finished wall for lavatory anchor screws.

\*Determine horizontal center line location of support from fixture.

**NOTE:**

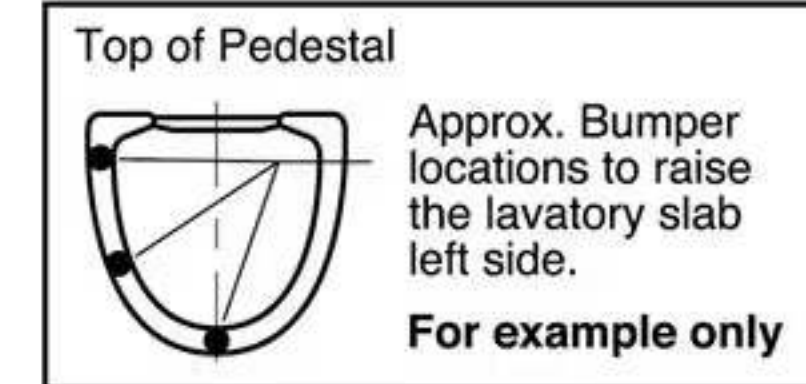
If replacing an existing lavatory be certain to shut off water supply before removing old lavatory.



**CAUTION: Risk of personal injury.** Product can break, chip, or cause injury if handled carelessly. Have someone hold the basin while you mark the mounting hole locations.

2

Place lavatory and pedestal into installed position. Level and square the lavatory and pedestal assembly. Use one or more bumper cushions (supplied) to level and cushion lavatory slab to pedestal.

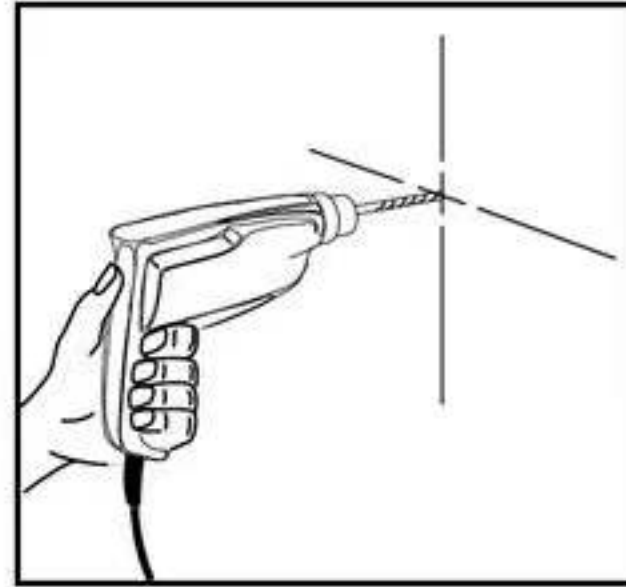


3

Mark lavatory and pedestal screw locations through the mounting holes. If a steel hanger is supplied mark the location of its screws when positioned as shown in step 5a.

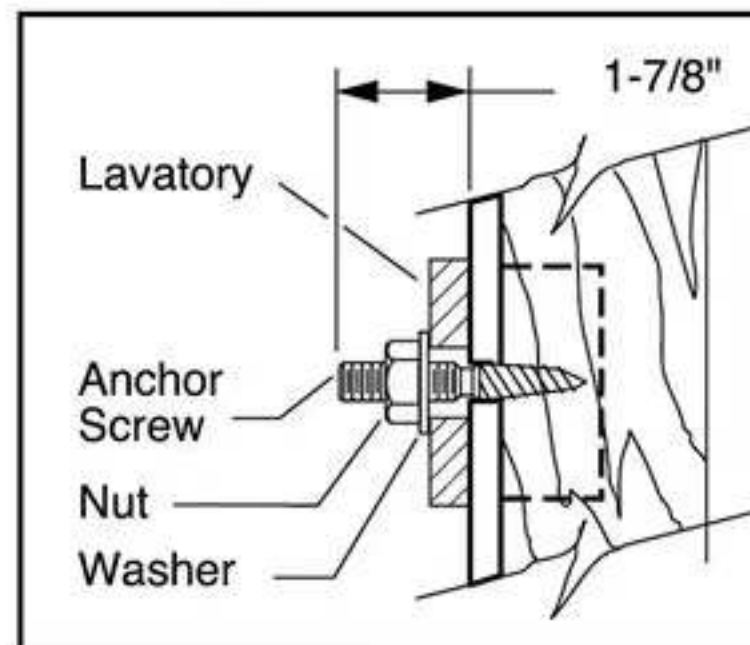
**4** Remove lavatory and pedestal from installed position. Drill pilot holes for lavatory and pedestal anchor screws or lag bolts.

**Note:** Some models are supplied with lag bolts, anchor screws, or steel hangers for lavatory installations only. Other models and all pedestals are not provided with mounting hardware. Various pedestal screw sizes and types are available to the installer at local hardware outlets.



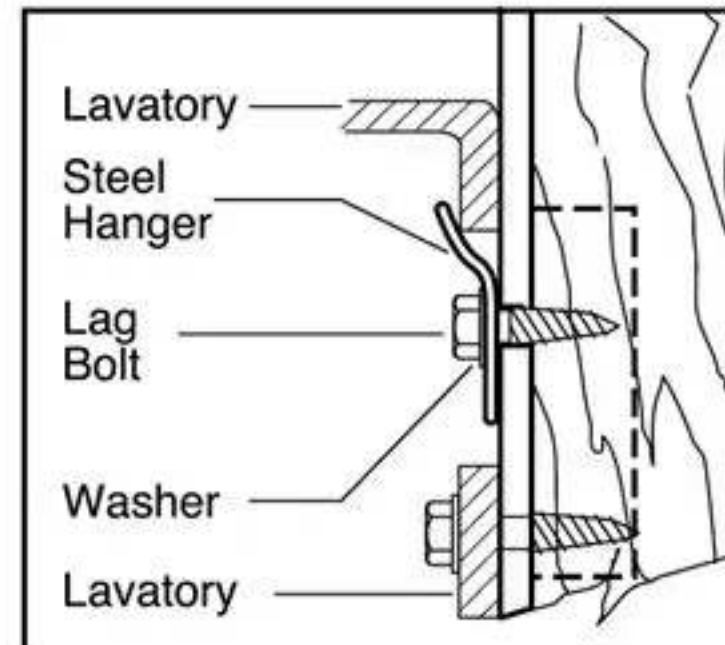
### **5** Anchor Screw Installation

Install lavatory anchor screws leaving 1-7/8" threaded end exposed as illustrated.



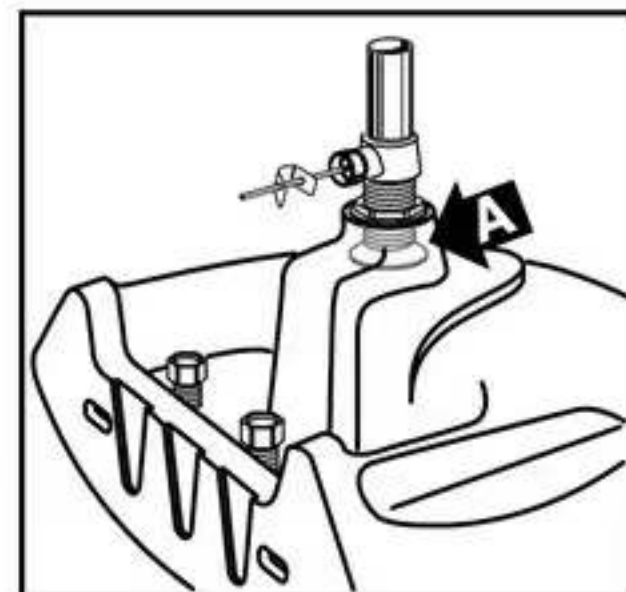
### **5a** Lag Bolt Installation

Use lag bolts to secure lavatory as illustrated.

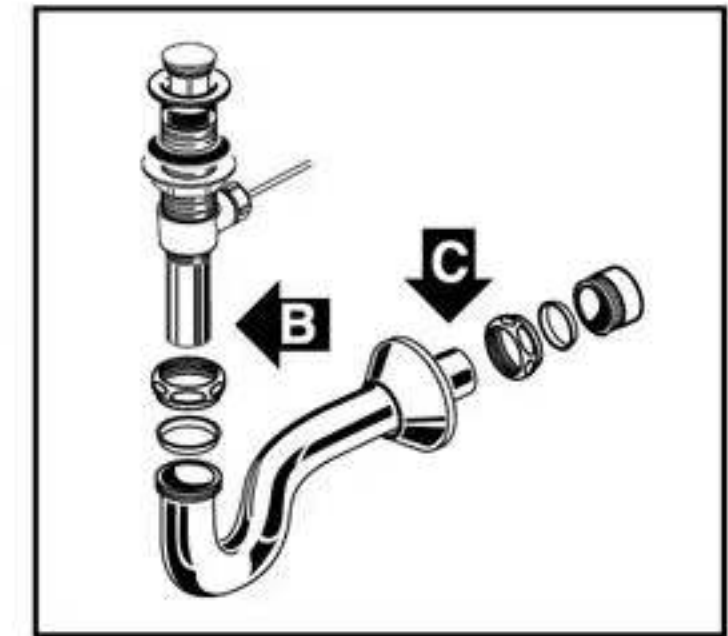


**IMPORTANT:** Final assembly of nut and washer or lag bolt method shown for reference only. (See steps 8 and 9).

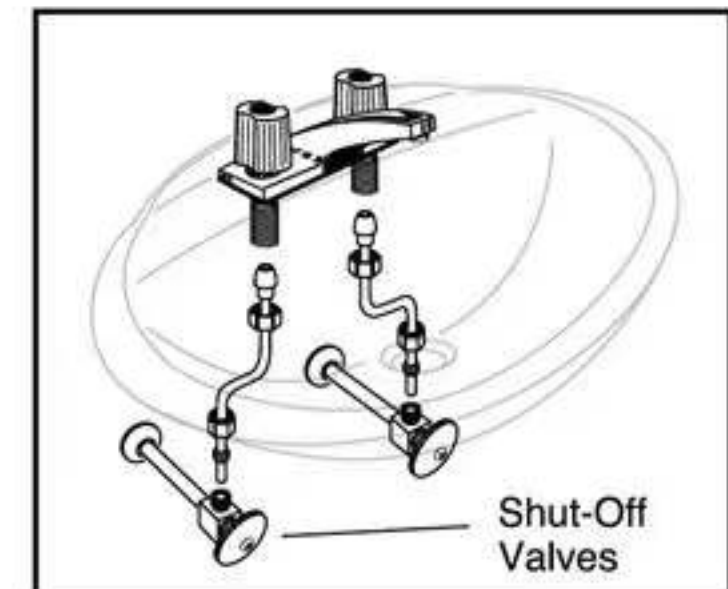
**6** Following manufacturer's instructions, install faucet and drain assembly (not included). Be certain to apply a bead of sealing putty on the underside of the drain (area "A") in order to ensure a watertight seal between the lavatory and drain. Remove excess putty after installing drain on lavatory.



**7** Return the fitted lavatory and pedestal to the installed position. Connect trap to drain assembly hand tight to check alignment. It may be necessary to cut off part of the tailpiece (area "B") and/or part of the drain elbow of the trap (area "C").

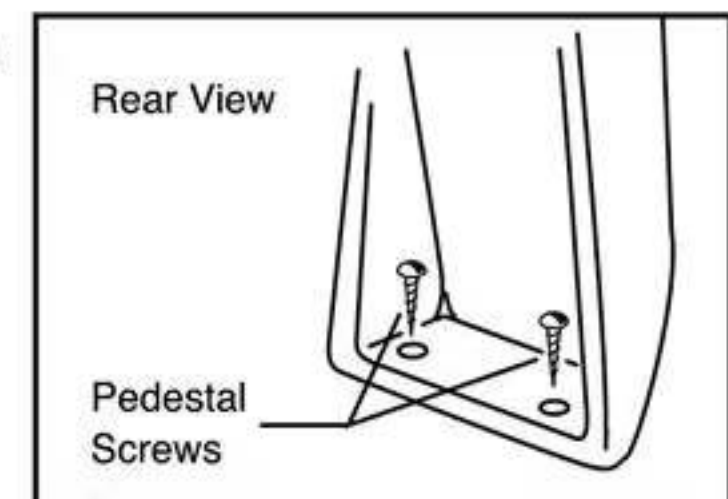


**8** Secure lavatory to wall as shown in 5 or 5a. Install washers and hand tighten nuts or lag bolts. Level and square the unit. Connect hot and cold supply lines to the shut-off valves. Tighten trap joints for watertight assembly.



**9** Install pedestal screws. Securely tighten lavatory anchor nuts or lag bolts.

**Note:** Space constraints may dictate method of fastening pedestal to floor.



## CARE AND CLEANING



When cleaning your lavatory, wash it with mild, soapy water, rinse thoroughly with clear water and dry with a soft, dampened sponge or cloth. Avoid detergents, disinfectants, or cleaning products in aerosol cans. NEVER use abrasive scouring powders or abrasive pads on your lavatory. Do not allow cleaners to soak on surfaces, some bathroom chemicals and cosmetics may damage the sink's finish.