



FEATURES

- Vitreous china
- Non-porous surface prevents moisture absorption and bacterial buildup
- D-shaped bin
- 3-Hole design
- Overflow drain
- Two soap depressions
- 42 lbs
- Wall hanger included
- Drilled for concealed arm carrier, arm carrier not included
- Meets or exceeds the following:
 - cUPC listed
 - ASME A112.19.2-2018/CSA B45.1-18
 - ADA Compliant Design*



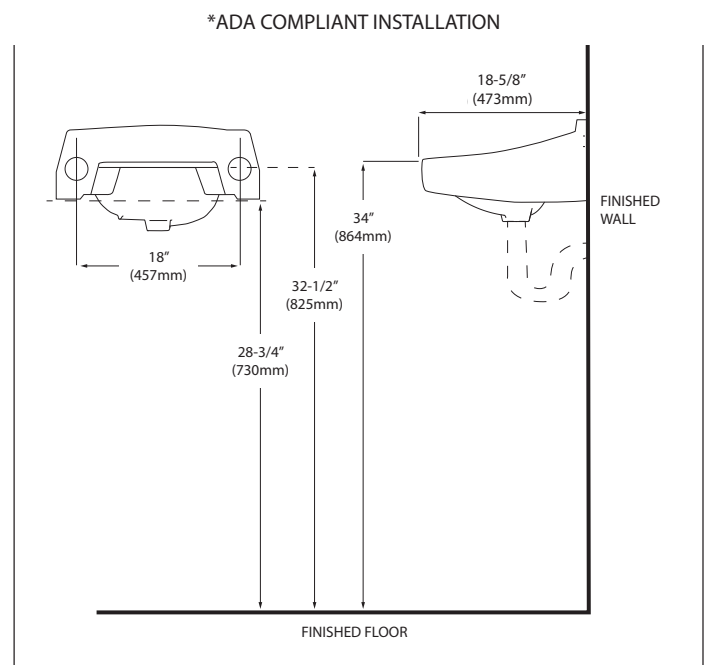
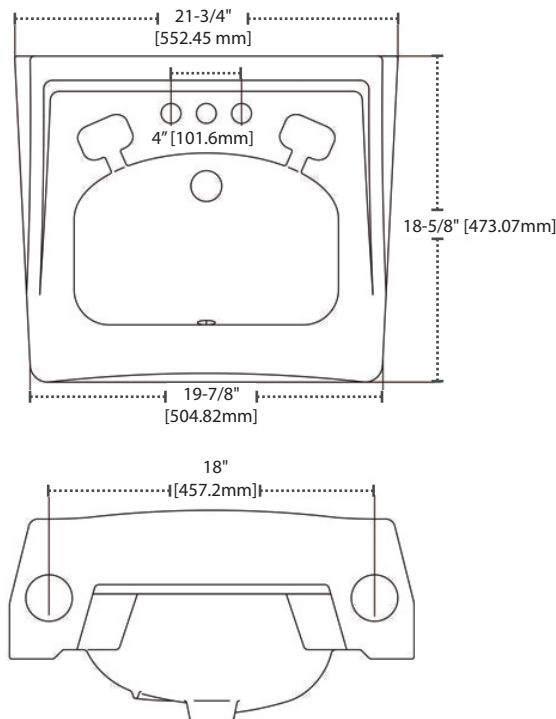
AVAILABLE FINISHES

- Gloss White

Model	ID	Nominal Size	Centerset
S33MRWL2118-4	.3544961	21" x 18"	4"

WARRANTY

5-Year warranty. Visit stream33.com for details.



*Product is ADA Compliant when installed on a vanity meeting the leg and foot clearance requirements illustrated in the ADA Compliant Installation diagram above.