



SUBMITTAL SHEET

Project Information

Job Name:

Location:

Engineer:

Contractor:

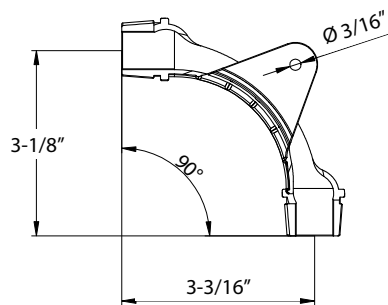
P.O. Number:

Representative:

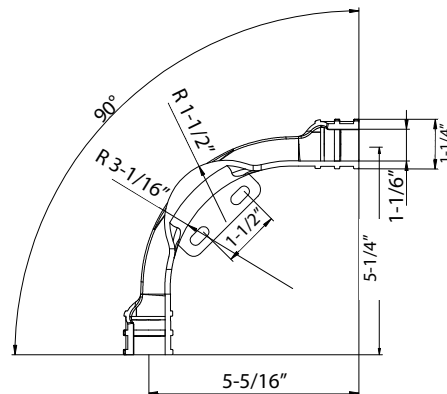
Model	ID	Size
S3312PPBEND	.3528045	1/2"
S3334PPBEND	.3532903	3/4"

FEATURES

- Plastic
- Compatible with all PEX tubing



S3312PPBEND



S3334PPBEND

